

Service
Service
Service



Service Manual



TABLE OF CONTENTS

Handling Chip Components and Safety1 - 1

Technical Specification & Service tools2 - 1

Service Measurement.....2 - 2

Connections and controls3 - 1..3 - 2

Instructions for use3 - 3..3 - 4

Tuner adjustment.....3 - 5

Abbreviations and Pin-description of CD ICs4 - 1

Disassembly Diagram.....4 - 2

Block Diagram5 - 1

Wiring Diagram.....5 - 2

Combi Board - Circuit Diagram

 Front part.....6 - 1

 Tuner part.....7 - 1

Combi Board - Circuit Diagram

 CD part 18 - 1

 CD part 28 - 2

 Audio/supply part.....9 - 1

Combi Board - Layout Diagram

 Layout diagram (copper side).....10 - 1

 Layout diagram (component side).....10 - 2

MP3CD2002 Board

 Circuit diagram11 - 1

 Layout diagram.....11 - 2

Exploded view - cabinet.....12 - 1

Mechanical partslist12 - 1

Electrical partslist13 - 1 .. 13 - 8



© Copyright 2001 Philips Consumer Electronics B.V. Eindhoven, The Netherlands
 All rights reserved. No part of this publication may be reproduced, stored in a retrieval system or transmitted, in any form or by any means, electronic, mechanical, photocopying, or otherwise without the prior permission of Philips.

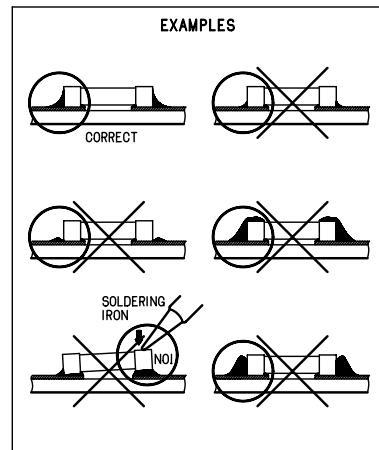
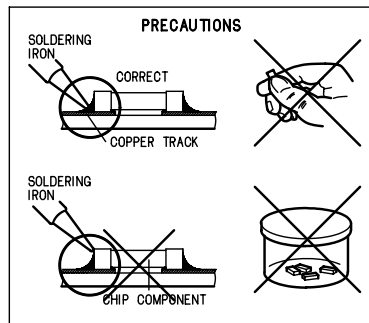
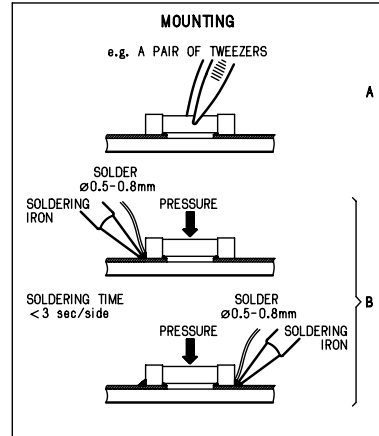
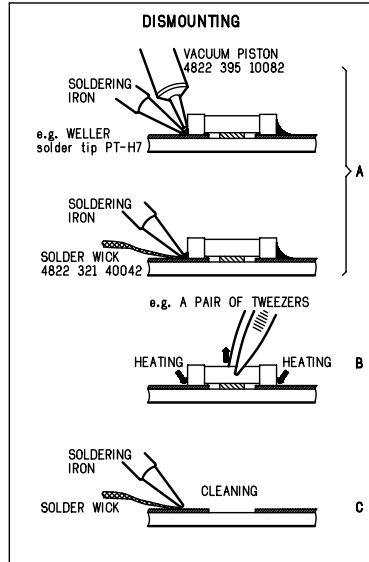
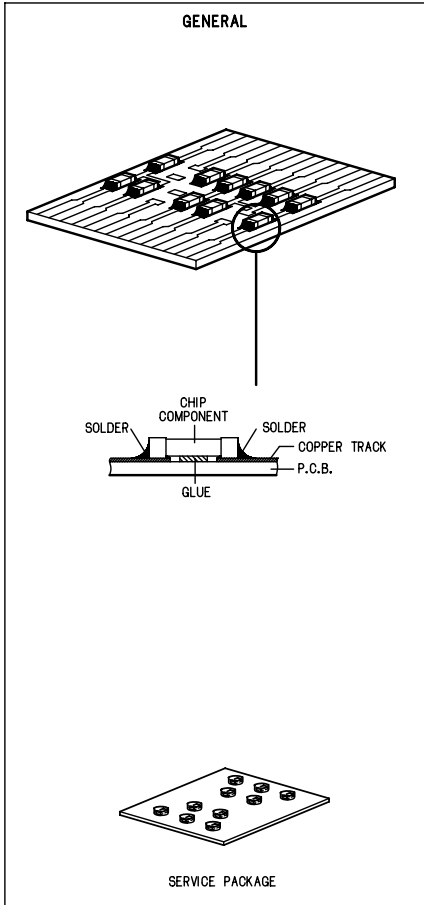
Published by LX 0227 Service Audio Printed in The Netherlands Subject to modification

GB 3140 785 32120



PHILIPS

HANDLING CHIP COMPONENTS



(GB) WARNING

All ICs and many other semiconductors are susceptible to electrostatic discharges (ESD). Careless handling during repair can reduce life drastically. When repairing, make sure that you are connected with the same potential as the mass of the set via a wristband with resistance. Keep components and tools at this potential.

ESD



(NL) WAARSCHUWING

Alle IC's en vele andere halfgeleiders zijn gevoelig voor electrostatische ontladingen (ESD). Onzorgvuldig behandelen tijdens reparatie kan de levensduur drastisch doen verminderen. Zorg ervoor dat u tijdens reparatie via een polsband met weerstand verbonden bent met hetzelfde potentiaal als de massa van het apparaat. Houd componenten en hulpmiddelen ook op ditzelfde potentiaal.

(F) ATTENTION

Tous les IC et beaucoup d'autres semi-conducteurs sont sensibles aux décharges statiques (ESD). Leur longévité pourrait être considérablement écourtée par le fait qu'aucune précaution n'est prise à leur manipulation. Lors de réparations, s'assurer de bien être relié au même potentiel que la masse de l'appareil et enfilez le bracelet seriti d'une résistance de sécurité. Veiller à ce que les composants ainsi que les outils que l'on utilise soient également à ce potentiel.

(D) WARNUNG

Alle ICs und viele andere Halbleiter sind empfindlich gegenüber elektrostatischen Entladungen (ESD). Unvorsichtige Behandlung im Reparaturfall kann die Lebensdauer drastisch reduzieren. Sorgen Sie dafür, daß Sie im Reparaturfall über ein Pulsarmband mit Widerstand mit dem Massepotential des Gerätes verbunden sind. Halten Sie Bauteile und Hilfsmittel ebenfalls auf diesem Potential.

(I) AVVERTIMENTO

Tutti IC e parecchi semi-conduttori sono sensibili alle scariche statiche (ESD). La loro longevità potrebbe essere fortemente ridotta in caso di non osservazione della più grande cauzione alla loro manipolazione. Durante le riparazioni occorre quindi essere collegato allo stesso potenziale che quello della massa dell'apparecchio tramite un braccialetto a resistenza. Assicurarsi che i componenti e anche gli utensili con quali si lavora siano anche a questo potenziale.

(GB)

Safety regulations require that the set be restored to its original condition and that parts which are identical with those specified be used. Safety components are marked by the symbol

(F)

Les normes de sécurité exigent que l'appareil soit remis à l'état d'origine et que soient utilisées les pièces de rechange identiques à celles spécifiées. Les composants de sécurité sont marqués

SAFETY



(D)

Bei jeder Reparatur sind die geltenden Sicherheitsvorschriften zu beachten. Der Originalzustand des Gerätes darf nicht verändert werden. Für Reparaturen sind Originalersatzteile zu verwenden. Sicherheitsbauteile sind durch das Symbol markiert.

(NL)

Veiligheidsbepalingen vereisen, dat het apparaat in zijn oorspronkelijke toestand wordt teruggebracht en dat onderdelen, identiek aan de gespecificeerde, worden toegepast. De Veiligheidsonderdelen zijn aangeduid met het symbol

(I)

Le norme di sicurezza estigono che l'apparecchio venga rimesso nelle condizioni originali e che siano utilizzati i pezzi di ricambio identici a quelli specificati. Componenti di sicurezza sono marcati con

(GB) DANGER:

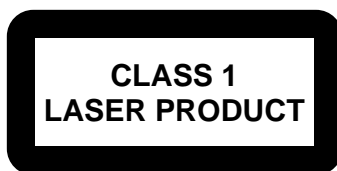
Invisible laser radiation when open. AVOID DIRECT EXPOSURE TO BEAM.

(S) Varning!

Osynlig laserstrålning när apparaten är öppnad och spårren är urkopplad. Betrakta ej strålen.

(DK) Advarsel!

Usynlig laserstrålning ved åbning når sikkerhedsafbrydere er ude af funktion. Undgå udsættelse for stråling.



(FIN) Varoitus!

Avatussa laitteessa ja suojauslaituksen ohitettaessa olet alttiina näkymättömälle laserisäteilylle. Älä katso säteeseen!

(GB)

After servicing and before returning the set to customer perform a leakage current measurement test from all exposed metal parts to earth ground, to assure no shock hazard exists. The leakage current must not exceed 0.5mA.

(F)

"Pour votre sécurité, ces documents doivent être utilisés par des spécialistes agréés, seuls habilités à réparer votre appareil en panne".

TECHNICAL SPECIFICATIONS

GENERAL

| | |
|-----------------------|--|
| Mains voltage | -/00C : 230 V -/01 : 120 / 230 V |
| Mains frequency | -/00C : 50 Hz -/01 : 50 / 60 Hz |
| Battery | main set : 9 V (R14 x 6) remote : 3V (R6 x 2) |
| Power consumption | : < 30 W (max.) |
| Dimension (W x H x D) | : 405 x 162 x 232 mm |
| Weight | : 2.5 Kg |

AMPLIFIER

| | |
|--------------------|--|
| Output power | mains : 2 x 1 W battery : 2 x 0.8 W |
| Speaker impedance | : 2 x 8 ohm |
| Frequency response | : 60 Hz - 20 kHz (± 3 dB) |

TUNER - FM SECTION

| | |
|-----------------|---------------------------|
| Tuning range | : 87.5 - 108 MHz |
| IF frequency | : 10.7 MHz \pm 0.02 MHz |
| Sensitivity | : 20 dBf at 26dB S/N |
| Selectivity | : 24 dB at 300kHz |
| IF rejection | : 85 dB |
| Image rejection | : 24 dB |

TUNER - AM SECTION

| | |
|-----------------|--|
| Tuning range | MW : 531 - 1602 kHz LW : 153 - 279 kHz |
| IF frequency | : 450 kHz \pm 1 kHz |
| Sensitivity | MW : 3200 μ V/m at 26dB S/N LW : 5500 μ V/m at 26dB S/N |
| Selectivity | MW : 22 dB LW : 29 dB |
| IF rejection | MW : 64 dB LW : 60 dB |
| Image rejection | MW : 32 dB LW : 38 dB |

COMPACT DISC

| | |
|--------------------|-----------------------------|
| Frequency response | : 100 Hz - 10 kHz \pm 2dB |
| S/N ratio | : 60 dB |
| Channel difference | 1 kHz : 2 dB |
| Channel crosstalk | 1 kHz : 40 dB |
| Laser wavelength | : 780 \pm 20 nm |
| Laser light power | : < 0.5 mW |

SERVICE TOOLS

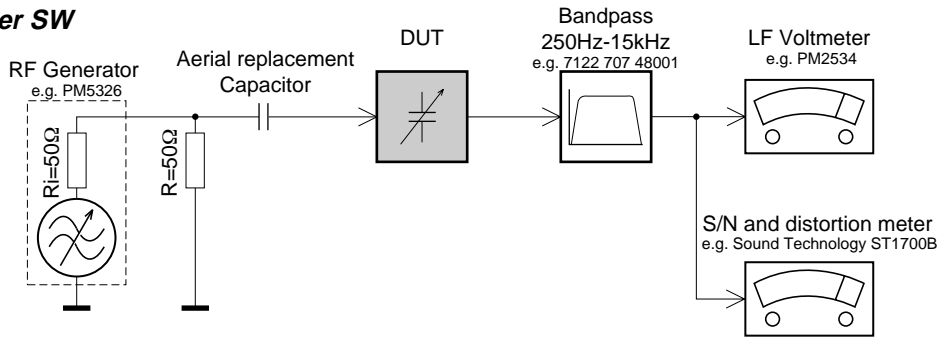
| | |
|--|----------------|
| Audio signal disc SBC 429..... | 4822 397 30184 |
| Playability test disc SBC 444..... | 4822 397 30245 |
| Test disc 5 (disc without errors) + | |
| Test disc 5A (disc with dropout errors, black spots and fingerprints) | |
| SBC 426/426A..... | 4822 397 30096 |
| Burn in test disc (65 min. 1kHz signal at -30 dB level without "pause")..... | 4822 397 30155 |

AVAILABLE ESD PROTECTION EQUIPMENT

| | | |
|--|-----------------------|----------------|
| anti-static table mat | large 1200x650x1.25mm | 4822 466 10953 |
| | small 600x650x1.25m | 4822 466 10958 |
| anti-static wristband | | 4822 395 10223 |
| connection box (3 press stud connections, 1M Ω) | | 4822 320 11307 |
| extendible cable (2m, 2M Ω , to connect wristband to connection box) | | 4822 320 11305 |
| connecting cable (3m, 2M Ω , to connect table mat to connection box) | | 4822 320 11306 |
| earth cable (1M Ω , to connect any product to mat or to connection box) | | 4822 320 11308 |
| KIT ESD3 (combining all 6 prior products - small table mat) | | 4822 310 10671 |
| wristband tester | | 4822 344 13999 |

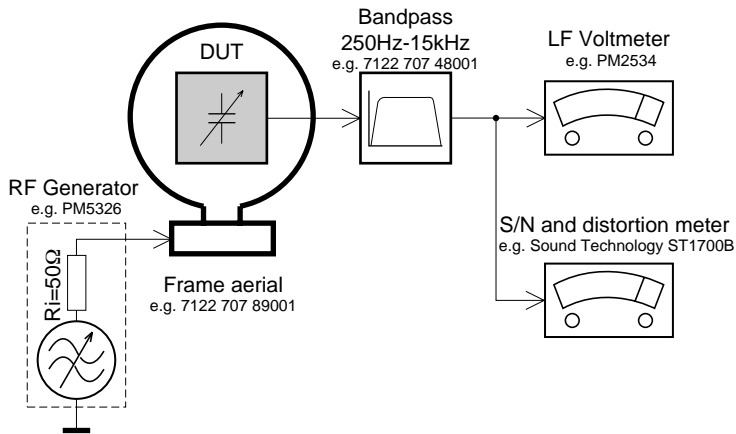
SERVICE MEASUREMENT

Tuner SW



To avoid atmospheric interference all AM-measurements have to be carried out in a Faraday«s cage. Use a bandpass filter (or at least a high pass filter with 250Hz) to eliminate hum (50Hz, 100Hz).

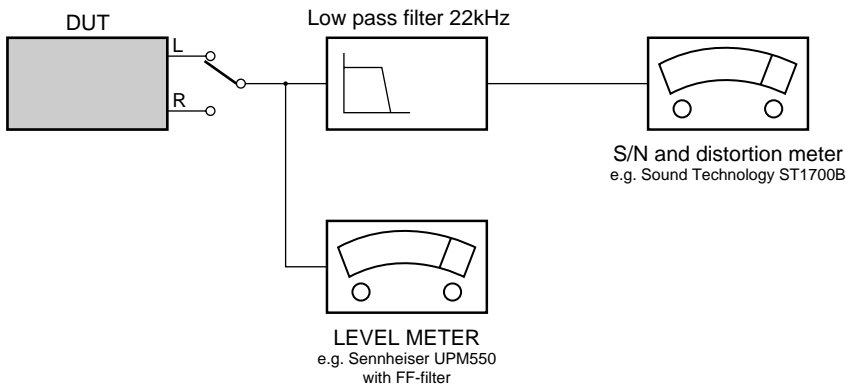
Tuner AM (MW,LW)



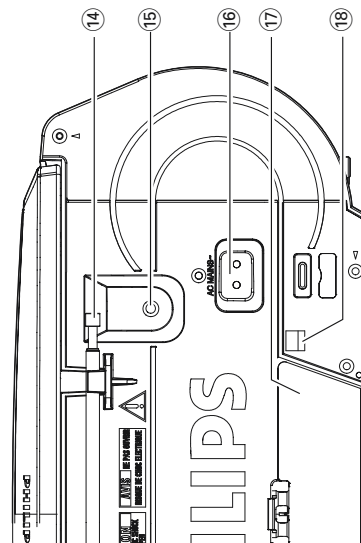
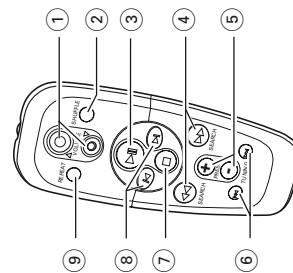
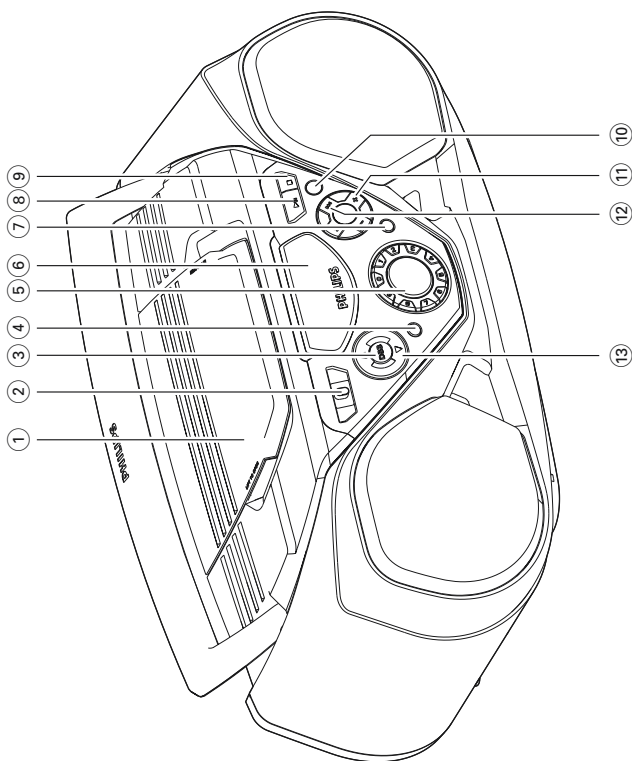
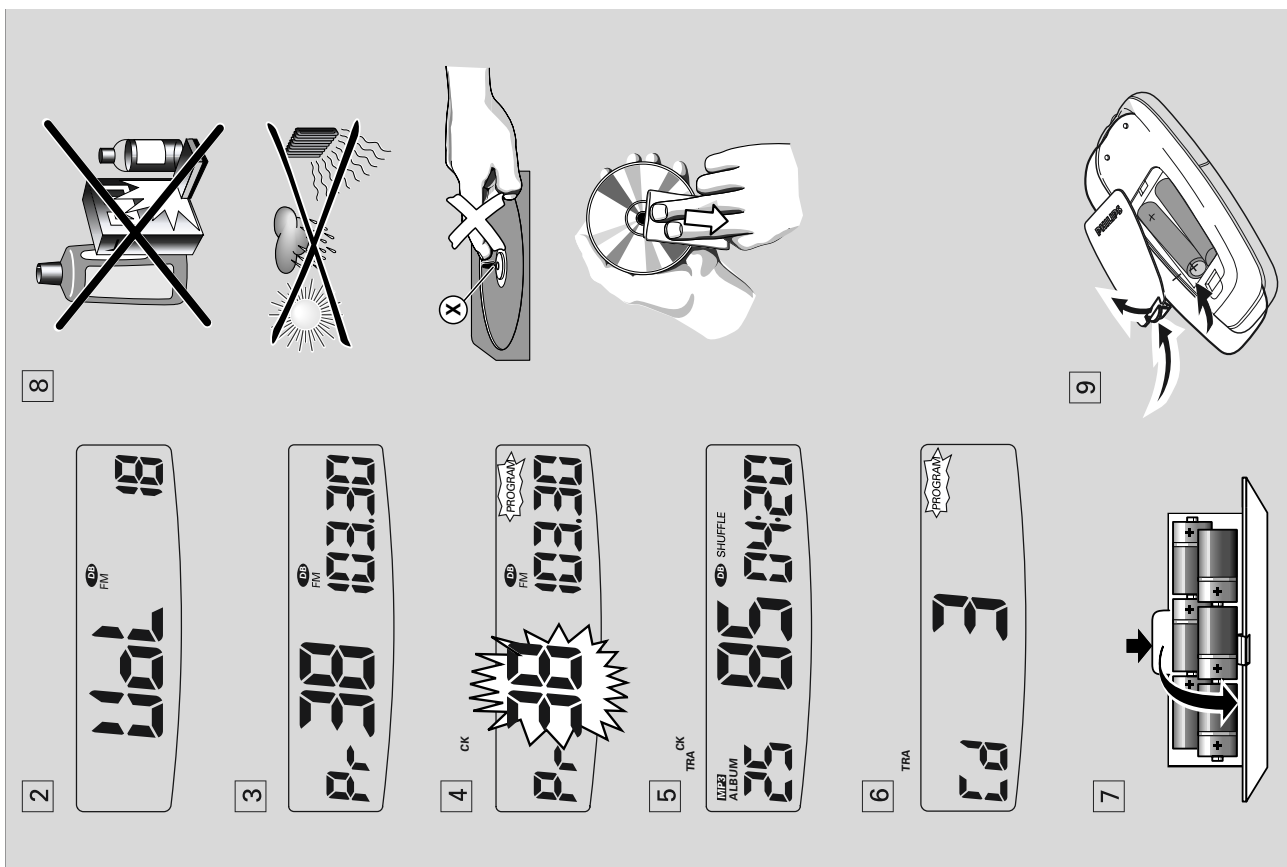
To avoid atmospheric interference all AM-measurements have to be carried out in a Faraday«s cage.

CD

Use Audio Signal Disc SBC429 4822 397 30184 (replaces test disc 3)
L.P.F. = 13th order filter 4822 395 30204



CONNECTIONS AND CONTROLS



ACCESSORIES

- 1 x AC mains lead
- 1 x Remote Control

TOP AND FRONT PANEL (See 1)

- 1 **LIFT TO OPEN** - lift here to open MP3-CD door.
- 2 **POWER OFF/TUNER/CD** - selects **CD/TUNER** function and also the power off switch (**POWER OFF**)
- 3 **DBB (Dynamic Bass Boost)** - activates a more vivid bass response
- 4 **CD MODE/BAND** - selects different play modes: e.g. **REPEAT** or **SHUFFLE** (random) order
- selects waveband
- 5 **0-9** - digit panel
- 6 **MP3/CD**: track selection and direct playback
- 7 **TUNER**: selecting a preset station
- 8 **Display** - shows the status of the set.
- 9 **PROG**
- 10 **MP3/CD**: programs tracks and reviews the program;
- 11 **TUNER**: - programs preset radio stations.
- 12 **▶II** - starts or pauses MP3/CD playback.
- 13 **■** - stop MP3/CD playback;
- erases a MP3/CD program.
- 14 **Remote Sensor** - infrared sensor for remote control
- 15 **ALBUM (+, -)**
- 16 **MP3 only**: selects previous/next album
- 17 **TUNER**: selects the previous /next preset station
- 18 **SEARCH ◀◀ ▶▶**
- 19 **MP3/CD**: - searches backward / forward within a track;
- skips to the beginning of a current track/ previous/ later track
- 20 **TUNER**: - (down, up) tunes to radio stations.
- 21 **VOLUME ▲, ▼** - to adjust volume level up/down

BACK PANEL

- 1 **Telescopic aerial** - improves FM reception.
 - 2 **⌀** - 3.5 mm stereo headphone socket.
- Note:** The speakers will be muted when headphones are connected to the set.

CONTROL/POWER SUPPLY

- 16 **AC MAINS** - inlet for mains lead.
- 17 **Battery compartment** - for 6 batteries, type **R-14**, **UM2** or **C-cells**.

REMOTE CONTROL

- 1 **VOLUME ▲, ▼** - adjusts volume level.(up, down)
- 2 **SHUFFLE** - plays all CD tracks in random order.
- 3 **▶II** - starts CD playback;
- pauses CD playback
- 4 **SEARCH ◀◀, ▶▶** - searches backwards/forwards within a track.
- 5 **PRESET +, -** (up, down)
- 6 **TUNER**: selects a preset radio station
- 7 **MP3 only**: selects previous/next album
- 8 **TUNING ◀◀ ▶▶**(down, up) - tunes to tuner stations.
- 9 **■** - stop MP3/CD playback;
- erases a MP3/CD program.
- 10 **◀, ▶** - skips to the beginning of a current track previous/ subsequent track
- 11 **REPEAT** - repeats a track /program/ entire CD.

CAUTION

Use of controls or adjustments or performance of procedures other than herein may result in hazardous radiation exposure or other unsafe operation.

POWER SUPPLY

Whenever convenient, use the AC power supply to conserve battery life. Make sure you remove the power plug from the set and wall outlet before inserting batteries.

Batteries (not included)

- Insert 6 batteries, type **R-14**, **UM-2** or **C-cells**, (preferably alkaline) with the correct polarity. (See 7)
- **Remote control**
Insert 2 batteries, type **AAA**, **R03** or **UM4** (preferably alkaline). (See 9)

IMPORTANT!

- *Incorrect use of batteries can cause electrolyte leakage and will corrode the compartment or cause the batteries to burst.*

POWER SUPPLY

- Do not mix battery types: e.g. alkaline with carbon zinc. Only use batteries of the same type for the set.
- When inserting new batteries, do not try to mix old batteries with the new ones.
- **Batteries contain chemical substances, so they should be disposed of properly.**

Using AC Power

1. Check if the AC power supply, as shown on the **type plate located on the bottom of the set**, corresponds to your local power supply. If it does not, consult your dealer or service centre.
2. Connect the mains lead to the wall socket.
3. To disconnect the mains supply, unplug the set from the wall socket.

The type plate is located on the bottom of the set.

This set complies with the radio interference requirements of the European Community.

For users in the U.K., please follow the boxed instructions 'Important notes...' on this sheet.

BASIC FUNCTIONS

Switching on and off and selecting function

1. To switch on, adjust the **POWER OFF/TUNER/CD** to select: **CD** or **TUNER** function, and operate the respective function controls.
• **On** and then **▲** or **▼** are shown briefly when you switch on to the selected function.
 2. To switch off, adjust the **POWER OFF/TUNER/CD** to select **POWER OFF**.
- Note** : The DBB setting, tuner presets and the volume (up to volume level 20) will be retained in the set's memory.

Adjusting volume and sound (See 2)

1. Adjust the volume with the **VOLUME** controls.
→ Display shows the volume level *level* and a number from 0-32.
2. Press **DBB** once or more to select dynamic bass boost on or off.

DIGITAL TUNER

DIGITAL TUNER

Tuning to radio stations

1. Adjust the **POWER OFF/TUNER/CD to TUNER**.
→ **▲** or **▼** is displayed briefly and then the radio station frequency, waveband and, if programmed, a preset number are shown. (See 3)
2. Press **CD MODE/BAND** once or more to select your waveband.
3. Press and hold **SEARCH ◀◀** or **▶▶** until the frequency in the display starts running.
→ The radio automatically tunes to a station of sufficient reception. Display shows *SEARCH* during automatic tuning.
4. Repeat step 3 if necessary until you find the desired station.

To tune to a weak station

- For **FM**, extend, incline and turn the telescopic aerial. Reduce its length if the signal is too strong.
- For **MW (AM)/LW**, the set uses a built-in aerial. Direct this aerial by turning the whole set.

Programming radio stations

You can store up to a total of 40 radio stations in the memory, manually or automatically (Autostore).

Manual programming

1. Tune to your desired station (see **Tuning to radio stations**).
 2. Press **PROG** to activate programming.
→ Display: *PR - - -* and **PROGRAM** flashes.
 3. Use the digit panel on the set to key in a number, 1-40, to select a preset station. E.g. press **1,1** if you want to store your station as preset 11. (See 4)
- Note** : If a higher preset number, 41-49 is selected, the display will show *radio PR* and tune to *PR 4*. Presets exceeding 50, e.g. 67 will tune you to presets 5 and 7.
- **Remote control**: Press **PRESET + / -** once or more to select a preset station.
 - **Set**: press **ALBUM (+ / -)**
 - 4. Press **PROG** to confirm.

INSTRUCTIONS FOR USE

DIGITAL TUNER

- 5. Repeat steps 1-4 to store other stations.
- Note :** You can erase a preset station by storing another frequency in its place.
- Autostore**
Autostore automatically starts programming radio stations from preset 1. Available stations are programmed in order of waveband reception strength: FM, followed by MW (AM). Any previous presets e.g. manually programmed will be erased.
- Press **PROG** for 4 seconds or more to activate autostore programming.
→ The display shows \overline{P} , \overline{L} , \overline{A} , \overline{P} blinks, followed by the radio station details when stored.
- After all stations are stored, the first preset station will then automatically play.

To listen to a preset station

- Set:** press **ALBUM (+ / -)**
- Direct Easy Access:** use the digit panel on the set to key in a number, 1-40, to select a preset station.
- Remote control:** optionally, press **PRESET +**, **-** to select your preset station.

MP3-CD PLAYER

IMPORTANT SPECIFICATIONS

Supported formats:

- Disc format **ISO9660**, Joliet and multi-session CDs. Use **ISO9660** disc format when burning CD-ROM.
- MP3 music formats.**
- MP3 bit rate (data rate): 32-320 Kbps and variable bit rate.
- 650Mb and 700Mb CD-R and CD-RWs.
- Directory nesting up to a maximum of 8 levels (max. 64 characters).

General information

The music compression technology MP3 (MPEG Audio Layer 3) reduces the original digital audio data by a factor up to 10 without losing significant sound quality. This allows you to record up to 10 hours of CD-like quality music on a single CD-ROM.

MP3-CD PLAYER

- Playlist Files** e.g. .m3u, .pls of WMA, AAC, Winamp, Sonic, RealJukebox, MS Mediaplayer 7.0, MusicMatch.
- Recordings created on e.g. **PacketWriting** and **Package Writing**.

MP3/CD display indications

- \overline{P} \overline{L} \overline{A} when reading disc contents;
- \overline{P} \overline{L} \overline{A} if no CD inserted/ CD dirty, incorrectly inserted or damaged.
- \overline{L} \overline{A} throughout CD operation
- **MP3, TRACK, ALBUM** throughout MP3-CD operation
- **In CD stop mode:** total track number and total playback time
- \overline{P} \overline{L} \overline{A} if you have inserted a non-finalized CD-R(W).
- \overline{P} \overline{L} \overline{A} if no albums are available.

Playing disc

This set plays **Audio Discs** including CDR(W)s, and mp3 CD-ROMs.

- Adjust the **POWER OFF/TUNER/CD to CD**.
- Insert a CD with the printed side facing up and close the door.

Note: MP3-CDs may more than take 10 seconds to read.

- Press **▶II** to start playback.
- To pause playback press **▶II**. Press **▶II** again to resume play.
→ Display: elapsed playtime flashes during pause.
- To stop playback, press \blacksquare .

Note : CD play will also stop when:

- the CD door is opened
- the CD has reached the end
- you select **TUNER/POWER OFF**.

Selecting a different track

There are 2 ways:

Direct Easy Access:

- Key in the number of the track using the digit keyboard on the set.

MP3-CD PLAYER

Note: If you key in a number larger than the maximum track number, your input is ignored and the current track continues playing.

SEARCH◀◀ or ▶▶

- Press **SEARCH**◀◀ or ▶▶ once or repeatedly to select your track.
- To skip tracks rapidly press and hold **SEARCH**◀◀ or ▶▶.

MP3-CD mode only:

First press **ALBUM, PRESET +** or **-** once or more to find your album.

Finding a passage within a track

- Press and hold **SEARCH**◀◀ or ▶▶.
→ The MP3/CD is played at high speed.
- When you recognize the passage you want, release◀◀ or ▶▶ to resume normal playback.

Note:

Searching is only possible within a track. The set goes into pause/stop mode when the end/start of a track is reached during searching.

Different play modes: SHUFFLE and REPEAT

You can select and change the various play modes before or during playback, and combine the modes with PROGRAM. (See [5])

SHUFFLE - tracks of the entire CD/ program are played in random order

SHUFFLE REPEAT ALL - to repeat the entire CD/ program continuously in random order

REPEAT ALL - repeats the entire CD/ program

REPEAT - plays the current track continuously

- To select play mode, press **CD MODE/BAND** once or more.
- Press **▶II** to start playback if in the stop position, unless you have chosen a shuffle option.
- To select normal playback, press **CD MODE/BAND** repeatedly until the various modes are no longer displayed.
→ You can also press the \blacksquare button to cancel your play mode.

MP3-CD PLAYER

Programming track numbers

In the stop position, select and store your CD tracks in the desired sequence. Up to 20 tracks can be stored in the memory.

1. Press **SEARCH** ◀◀ or ▶▶ on the set to select your desired track number.

MP3-CD mode only:

First press **ALBUM**, **PRESET** + or - once or more to find your album.

2. Press **PROG**.

→ Display: **PROGRAM** and **Prog.** (See [6])

→ If you attempt to program without first selecting a track number, **MP3-CD** is shown.

3. Repeat steps **1-2** to select and store all desired tracks.

→ Display: **F U L L** if you try to program more than 20 tracks.

Reviewing the program

In the stop position, press and hold **PROG** until the display shows all your stored track numbers in sequence.

Erasing a program

You can erase the program by:

- pressing ■ twice
→ **U L R** is displayed briefly and **PROG** disappears.
- You select **TUNER /POWER OFF**.

SAFETY AND MAINTENANCE

SAFETY & MAINTENANCE INFORMATION

(See [8])

- Don't expose the set, batteries or CDs to humidity, rain, sand or excessive heat.
- Clean the set with a dry cloth. Don't use any cleaning agents containing alcohol, ammonia, benzene or abrasives as these may harm the set.
- Place the set on a hard and flat surface so that the system does not tilt. Make sure there is good ventilation to prevent the set overheating.
- The mechanical parts of the set contain self-lubricating bearings and must not be oiled or lubricated.

CD player and CD handling

- If the CD player cannot read CDs correctly, use a cleaning CD to clean the lens before taking the set to repair.
- The lens of the CD player should never be touched!
- Sudden changes in the surrounding temperature can cause condensation on the lens of your CD player. Playing a CD is then not possible. Do not attempt to clean the lens but leave the set in a warm environment until the moisture evaporates.
- Always close the CD door to avoid dust on the lens.
- To clean the CD, wipe in a straight line from the centre towards the edge using a soft, lint-free cloth. Do not use cleaning agents as they may damage the disc.
- Never write on a CD or attach any stickers to it.

Environmental information

We have done our best to reduce the packaging and make it easy to separate into 3 materials: cardboard, expandable polystyrene, polyethylene.

Your set consists of materials which can be recycled if disassembled by a specialized company. **Please observe the local regulations regarding the disposal of packaging, exhausted batteries and old equipment.**

TROUBLESHOOTING

WARNING: Do not open the set as there is a risk of electric shock. Under no circumstances should you try to repair the set yourself, as this will invalidate the guarantee.

If a fault occurs, first check the points listed below before taking the set for repair. If you are unable to remedy a problem by following these hints, consult your dealer or service centre.

No sound /power

- Volume not adjusted
- Adjust the **VOLUME**
- Mains lead not securely connected
- Connect the AC mains lead properly
- Batteries exhausted/ incorrectly inserted
- Insert (fresh) batteries correctly
- Headphones connected to the set
- Disconnect headphones.
- CD contains non-audio files
- Press **SEARCH** ◀◀ or ▶▶ once or more to skip to a CD audio track, instead of the data file

Severe radio hum or noise

- Electrical interference: set too close to TV, VCR or computer
- Move the set to increase the distance

Poor radio reception

- Weak radio signal
- FM: Adjust the FM telescopic aerial
- radio** **indication**
 - During programming radio preset stations, you have keyed in a preset number that exceeds the maximum preset number i.e. 40
 - Key in a preset number from 1-40

radio i.s.c. indication

- CD badly scratched or dirty
- Replace/ clean CD, see Maintenance
- Laser lens steamed up
- Wait until lens has cleared

radio i.s.c. indication

- CD-R(W) is blank/ not finalized
- Use a finalized CD-R(W)
- Sound skips during MP3 playback**
 - MP3 file made at compression level exceeding 320kpbs
 - Use a lower compression level to record CD tracks into MP3 format
- Cannot find desired MP3 title**
 - Wrong file extension used and/ or file name with unsuitable text characters used
 - Make sure the file names are typed in English text characters so that the MP3 files end with **.MP3**

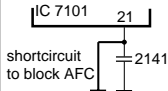
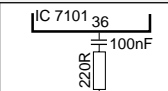
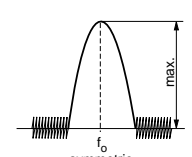
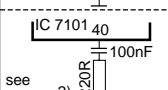
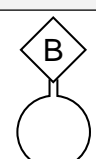
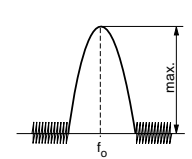
The CD skips tracks

- CD damaged or dirty
- Replace or clean CD
- SHUFFLE or PROGRAM is active
- Switch off SHUFFLE / PROGRAM

Remote control does not function properly

- Batteries exhausted/ incorrectly inserted
- Insert (fresh) batteries correctly
- Distance/ angle between the set too large
- Reduce the distance/ angle

TUNER ADJUSTMENT TABLE (ECO6 FM/MW- and FM/MW/LW - versions with ferrite antenna)

| Waverange | Input frequency | Input | Tuned to | Adjust | Output | Scope/Voltmeter |
|--|--|--|---|-------------------------|------------|---|
| <i>VARICAP ALIGNMENT</i> | | | | | | |
| FM 87.5 - 108MHz (65.81 - 74, 87.5 - 108MHz) | | | 108MHz | 5130 | ◇ 1 | 8V -0.2V |
| | | | 87.5MHz (65.81MHz) | check | | 4.3V -0.5V (1.2V -0.5V) |
| MW FM/AM-version, 10kHz grid 530 - 1700kHz | | | 1700kHz | 5123 | | 8V -0.2V |
| | | | 530kHz | check | | 1.1V -0.4V |
| FM/MW-version, 9kHz grid 531 - 1602kHz | | | 1602kHz | 5123 | | 6.9V -0.2V |
| | | | 531kHz | check | | 1.1V -0.4V |
| LW 153 - 279kHz | | | 279kHz | 5122 | 8V -0.2V | |
| | | | 153kHz | check | 1.1V -0.4V | |
| MW FM/MW/LW- version, 9kHz grid 531 - 1602kHz | | | 1602kHz | 5123 | 8V -0.2V | |
| | | | 531kHz | check | 1.1V -0.4V | |
| <i>FM IF</i> | | | | | | |
| FM | 10.7MHz, 45mV continuous wave | ◇ D |  | 5119 | ◇ 2 | 0 - 3 mV DC |
| <i>FM RF</i> | | | | | | |
| FM 87.5 - 108MHz (65.81 - 74, 87.5 - 108MHz) | 108MHz | ◇ A | 108MHz | 2155 | ◇ 4 | MAX |
| | 87.5MHz (65.81MHz) | mod=1kHz $\Delta f = -22.5\text{kHz}$ | 87.5MHz (65.81MHz) | 5131 | | |
| <i>VCO</i> | | | | | | |
| FM | 98MHz, 1mV continuous wave | ◇ A | 98MHz | 3142 | ◇ 3 | 152kHz -1kHz ¹⁾ |
| <i>AM IF</i> | | | | | | |
| MW | 450kHz connect pin 6 of IC 7101 (AM Osc.) with 2.2k Ω to Vcc | ◇ C $\Delta f = -10\text{kHz}$ $V_{RF} = 0.5\text{mV}$ (as low as possible) |  | 5111 | ◇ 5 |  |
| | | |  | 5112 | | |
| AM AFC MW | | ◇ C continuous wave $V_{RF} = 2\text{mV}$ | | 5114 | ◇ 2 | 0 - 2 mV DC |
| <i>AM RF ³⁾</i> | | | | | | |
| LW | 198kHz | ◇ B  | 198kHz | 5105 LW ferrite coil | ◇ 5 |  |
| MW FM/MW/LW- and FM/MW-version (9kHz grid) 531 - 1602kHz | 1494kHz | | 1494kHz | 2106 | | |
| | 558kHz | | 558kHz | 5104 MW ferrite coil | | |
| MW FM/AM-version, 10kHz grid 530 - 1700kHz | 1500kHz | | $\Delta f = -30\text{kHz}$ V_{RF} as low as possible | 1500kHz | | |
| | 560kHz | | 560kHz | 5104 MW ferrite coil | | |

ECO6, general with ferrite antenna, 070799

Use Service Testprogram. By selecting the TUNER TEST test frequencies will be stored as preset frequencies automatically.

¹⁾ If sensitivity of frequency counter is too low adjust to max. channel separation (input signal: stereo left 90% + 9%, adjust output on right channel to minimum)²⁾ RC network serves for damping the IF-filter while adjusting the other one.³⁾ LW has to be aligned before MW.

↑ Repeat

Abbreviations and Pin-description of CD ICs

SERVO PROCESSOR SAA7 325H

| SYMBOL | PIN | DESCRIPTION |
|-------------------|-------------------|---|
| HFREF | 1 | comparator common mode input |
| HFIN | 2 | comparator signal input |
| ISLICE | 3 | current feedback output from data slicer |
| V _{SSA1} | 4 ⁽¹⁾ | analog ground 1 |
| V _{DDA1} | 5 ⁽¹⁾ | analog supply voltage 1 |
| I _{ref} | 6 | reference current output pin |
| V _{RIN} | 7 | reference voltage for servo ADC' s |
| D1 | 8 | unipolar current input (central diode signal input) |
| D2 | 9 | unipolar current input (central diode signal input) |
| D3 | 10 | unipolar current input (central diode signal input) |
| D4 | 11 | unipolar current input (central diode signal input) |
| R1 | 12 | unipolar current input (satellite diode signal input) |
| R2 | 13 | unipolar current input (satellite diode signal input) |
| V _{SSA2} | 14 ⁽¹⁾ | analog ground 2 |
| CROUT | 15 | crystal/resonator output |
| CRIN | 16 | crystal/resonator input |
| V _{DDA2} | 17 ⁽¹⁾ | analog supply voltage 2 |
| LN | 18 | DAC left channel differential output - negative |
| LP | 19 | DAC left channel differential output - positive |
| V _{neg} | 20 | DAC negative reference input |
| V _{pos} | 21 | DAC positive reference input |
| RN | 22 | DAC right channel differential output - negative |
| RP | 23 | DAC right channel differential output - positive |
| SELPLL | 24 | selects whether internal clock multiplier PLL is used |
| TEST1 | 25 | test control input 1; this pin should be tied LOW |
| CL16 | 26 | 16.9344 MHz system clock output |
| DATA | 27 | serial d4(1)ata output (3-state) |
| WCLK | 28 | word clock output (3-state) |
| SCLK | 29 | serial bit clock output (3-state) |
| EF | 30 | C2 error flag output (3-state) |
| TEST2 | 31 | test control input 2; this pin should be tied LOW |
| KILL | 32 | kill output (programmable; open-drain) |
| V _{SSD1} | 33 ⁽¹⁾ | digital ground 2 |
| V2/V3 | 34 | versatile I/O: input versatile pin 2 or output versatile pin 3 (open-drain) |
| WCLI | 35 | word clock iutput (for data loopback to DAC) |
| SDI | 36 | serial data input (for data loopback to DAC) |
| SCLI | 37 | serial bit clock input (for data loopback to DAC) |
| RESET | 38 | power-on reset input (active LOW) |
| SDA | 39 | microcontroller interface data I/O line (open-drain output) |
| SCL | 40 | microcontroller interface clock line input |

Abbreviations and Pin-description of CD ICs

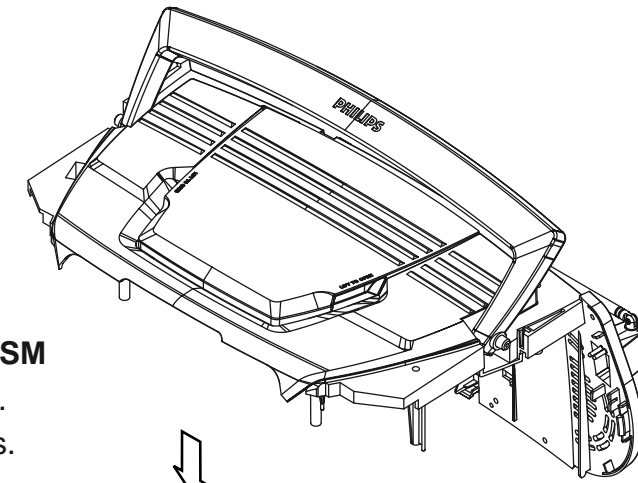
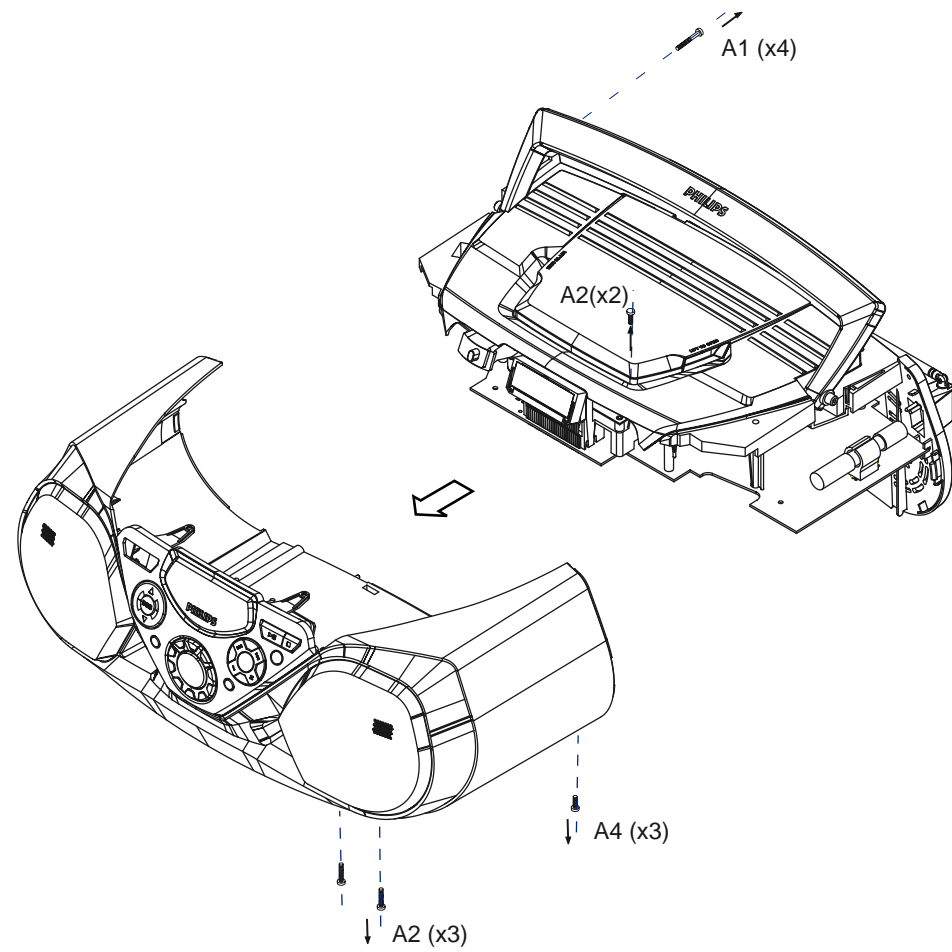
SERVO PROCESSOR SAA7 325H

| SYMBOL | PIN | DESCRIPTION |
|---------------------|-------------------|---|
| RAB | 41 | microcontroller interface R/W and load control line input (4-wire bus mode) |
| SILD | 42 | microcontroller interface R/W and load control line input (4-wire bus mode) |
| STATUS | 43 | servo interrupt request line/decoder status register output (open-drain) |
| TEST3 | 44 | test control input 3; this pin should be tied LOW |
| RCK | 45 | subcode clock input |
| SUB | 46 | P-to-W subcode bits output (3-state) |
| SFSY | 47 | subcode frame sync output (3-state) |
| SBSY | 48 | subcode block sync output (3-state) |
| CL11/4 | 49 | 11.2896 MHz or 4.2336 MHz (for microcontroller) clock output |
| V _{SSD2} | 50 ⁽¹⁾ | digital ground 3 |
| DOBM | 51 | bi-phase mark output (externally buffered; 3-state) |
| V _{DD1(P)} | 52 ⁽¹⁾ | digital supply voltage 2 for periphery |
| CFLG | 53 | correction flag output (open-drain) |
| RA | 54 | radial actuator output |
| FO | 55 | focus actuator output |
| SL | 56 | sledge control output |
| V _{DD2(C)} | 57 ⁽¹⁾ | digital supply voltage 3 for core |
| V _{SSD3} | 58 ⁽¹⁾ | digital ground 4 |
| MOTO1 | 59 | motor output 1; versatile (3-state) |
| MOTO2 | 60 | motor output 2; versatile (3-state) |
| V4 | 61 | versatile output pin 4 |
| V5 | 62 | versatile output pin 5 |
| V1 | 63 | versatile intput pin 1 |
| LDON | 64 | laser drive on output (open-drain) |

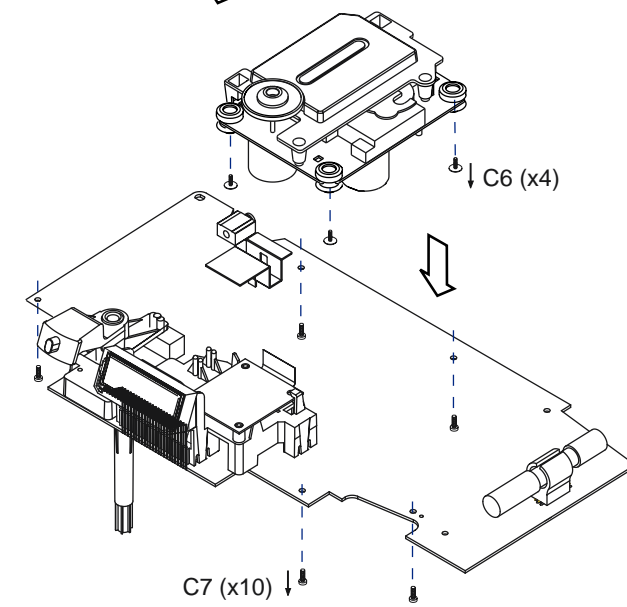
Note : All supply pins must be connected to the same external power supply voltage.

DISASSEMBLY DIAGRAM**A. TO REMOVE BOTTOM CABINET ASSEMBLY**

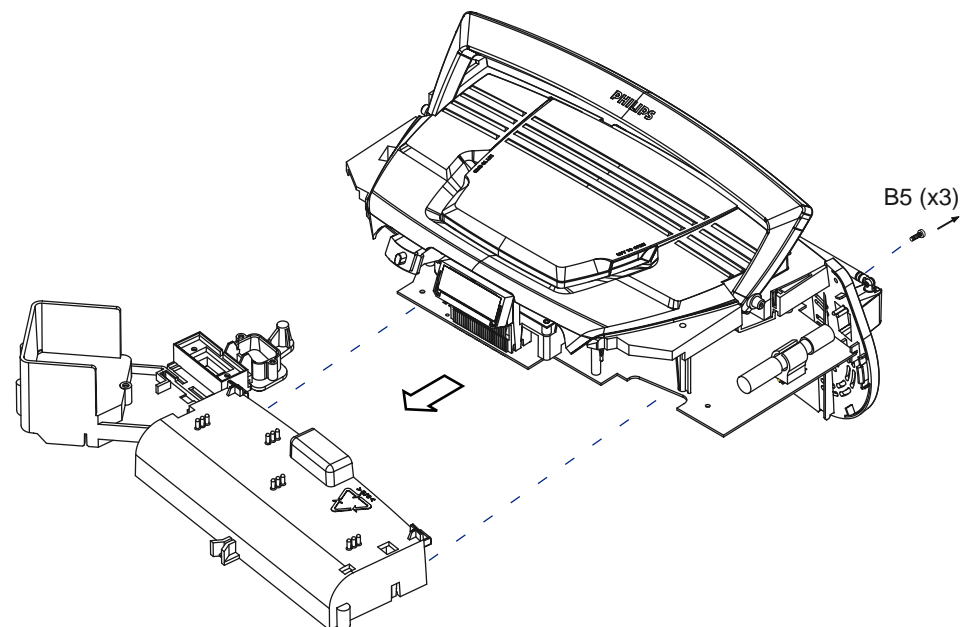
- Remove screws A1(3x20) 4pcs and screws A2(3x10) 2pcs (In CD Door).
- Remove screws A3(3x16) 3pcs and A4(3x10) 3pcs.

**C. TO REMOVE DECK MECHANISM**

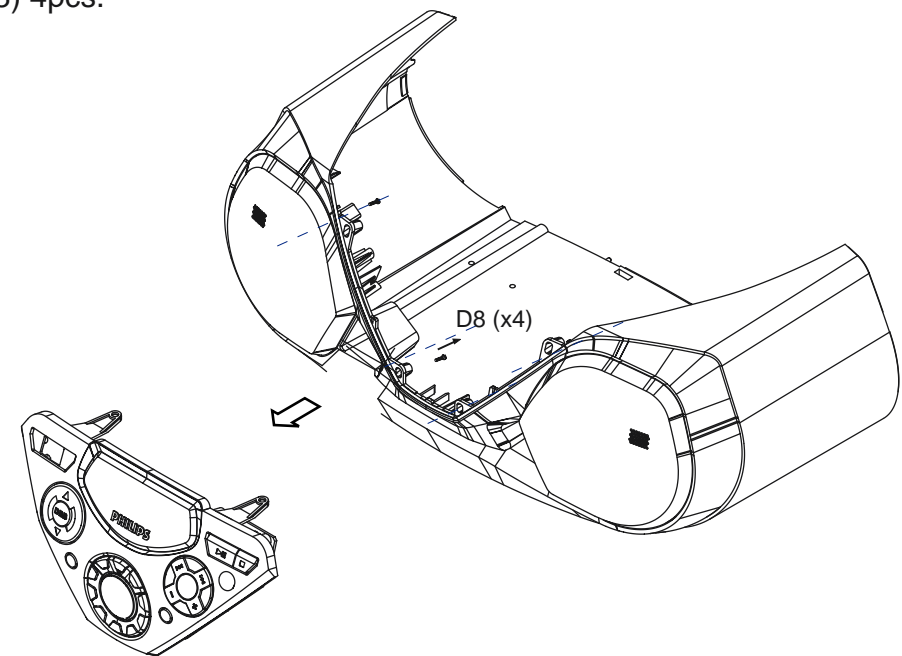
- Remove screws C6(3x10) 10pcs.
- Remove screws C7(2.5x10) 4pcs.

**B. TO REMOVE BATTERY COMPARTMENT ASSEMBLY**

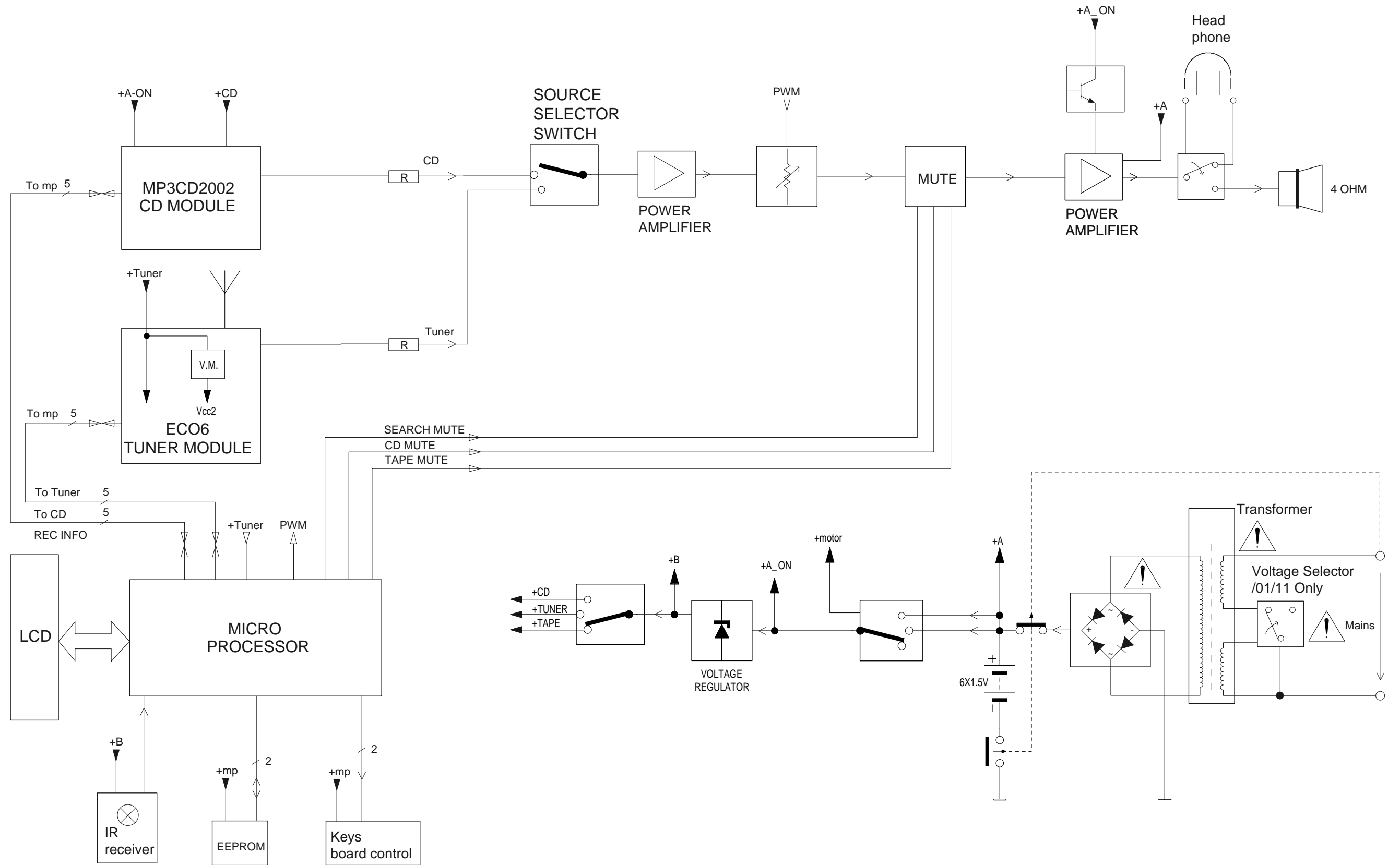
- Remove screws B5(3x10) 3pcs.

**D. TO REMOVE FRONT PANEL ASSEMBLY**

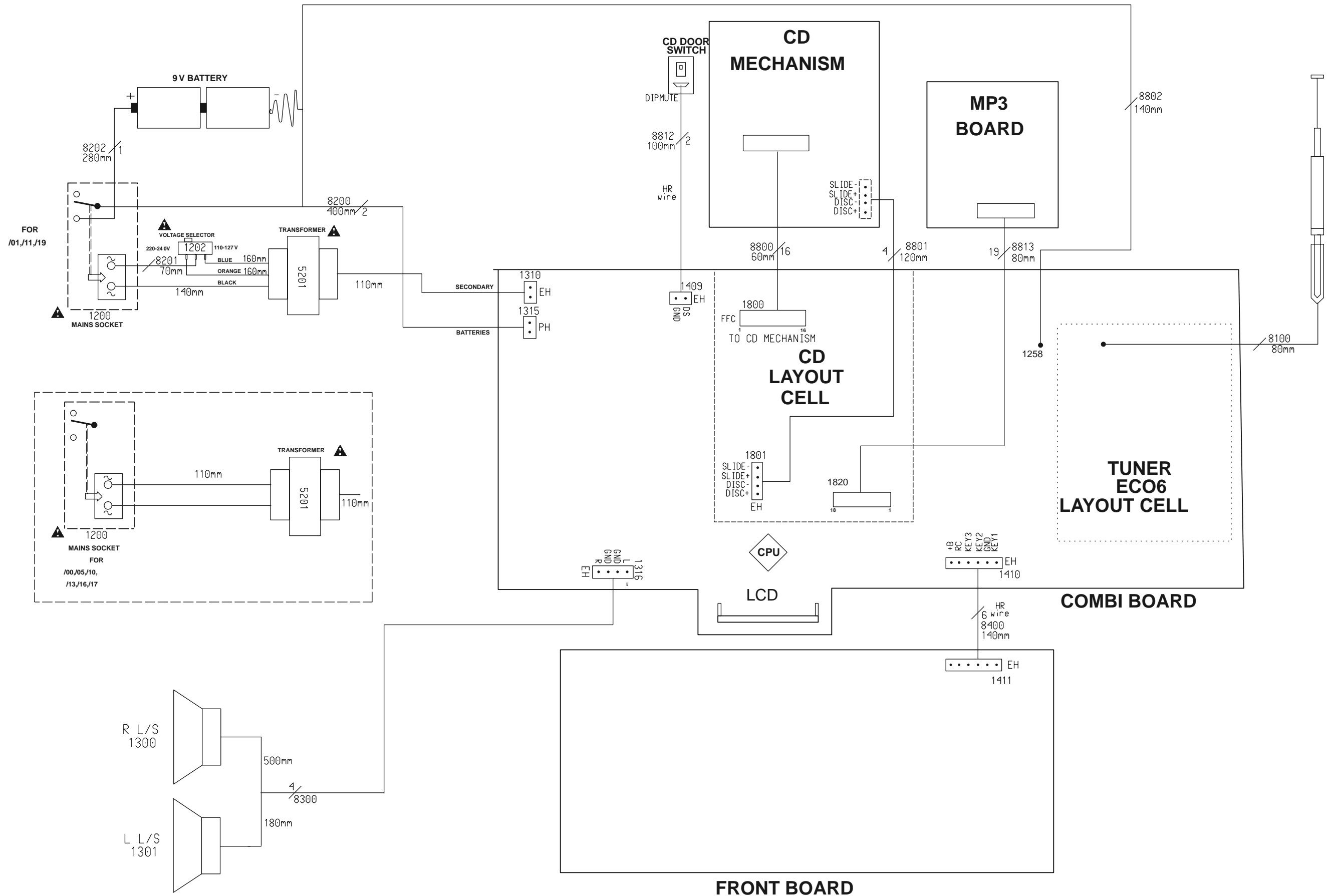
- Remove screws D8(2x8) 4pcs.



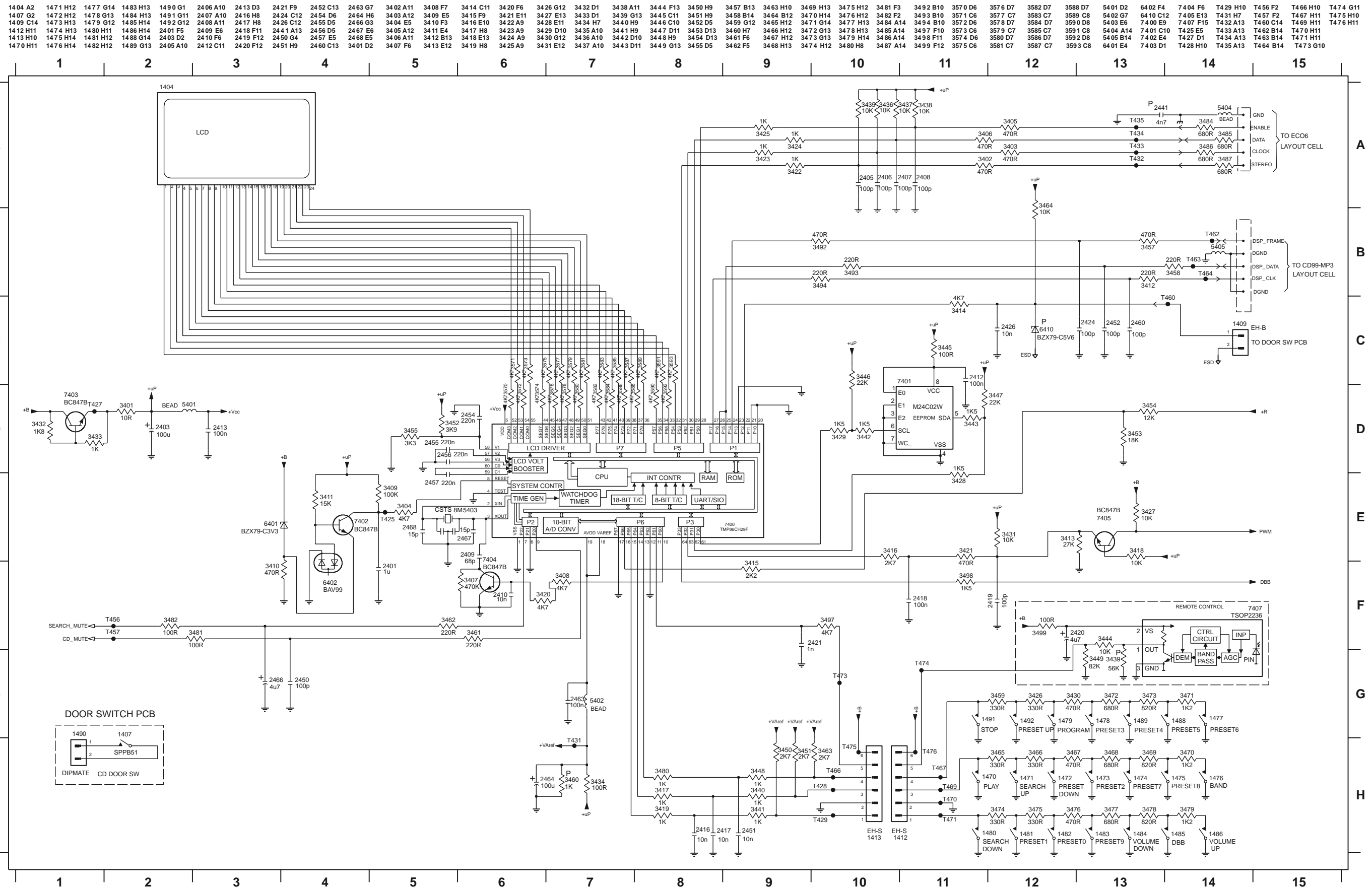
BLOCK DIAGRAM



WIRING DIAGRAM

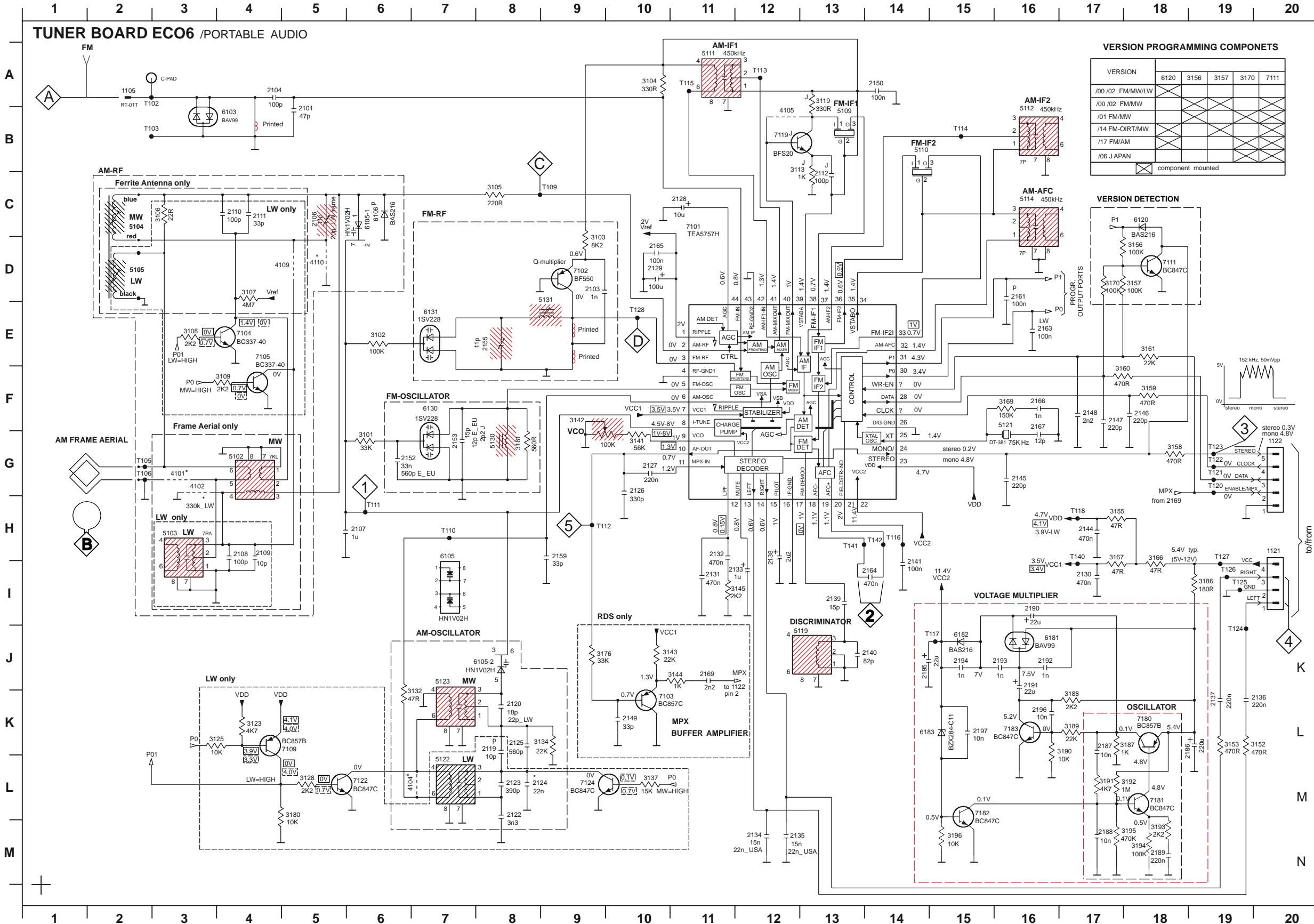


COMBI BOARD - CIRCUIT DIAGRAM (FRONT PART)



P : PROVISIONAL

COMBI BOARD - CIRCUIT DIAGRAM (TUNER PART)



VERSION PROGRAMMING COMPONENTS

| VERSION | 6120 | 3156 | 3157 | 3170 | 7111 |
|------------------|------|------|------|------|------|
| /00 /02 FM/MW/LW | | | | | |
| /00 /02 FM/MW | | | | | |
| /01 FM/MW | | | | | |
| /14 FM-OIRT/MW | | | | | |
| /17 FM/AM | | | | | |
| /06 J APAN | | | | | |

VERSION DETECTION

5V
152 kHz, 50mVpp
stereo 0.3V
mono 4.8V

1122
1121
1120
1119
1118
1117
1116
1115
1114
1113
1112
1111
1110
1109
1108
1107
1106
1105
1104
1103
1102
1101
1100
1099
1098
1097
1096
1095
1094
1093
1092
1091
1090
1089
1088
1087
1086
1085
1084
1083
1082
1081
1080
1079
1078
1077
1076
1075
1074
1073
1072
1071
1070
1069
1068
1067
1066
1065
1064
1063
1062
1061
1060
1059
1058
1057
1056
1055
1054
1053
1052
1051
1050
1049
1048
1047
1046
1045
1044
1043
1042
1041
1040
1039
1038
1037
1036
1035
1034
1033
1032
1031
1030
1029
1028
1027
1026
1025
1024
1023
1022
1021
1020
1019
1018
1017
1016
1015
1014
1013
1012
1011
1010
1009
1008
1007
1006
1005
1004
1003
1002
1001
1000

LEGEND

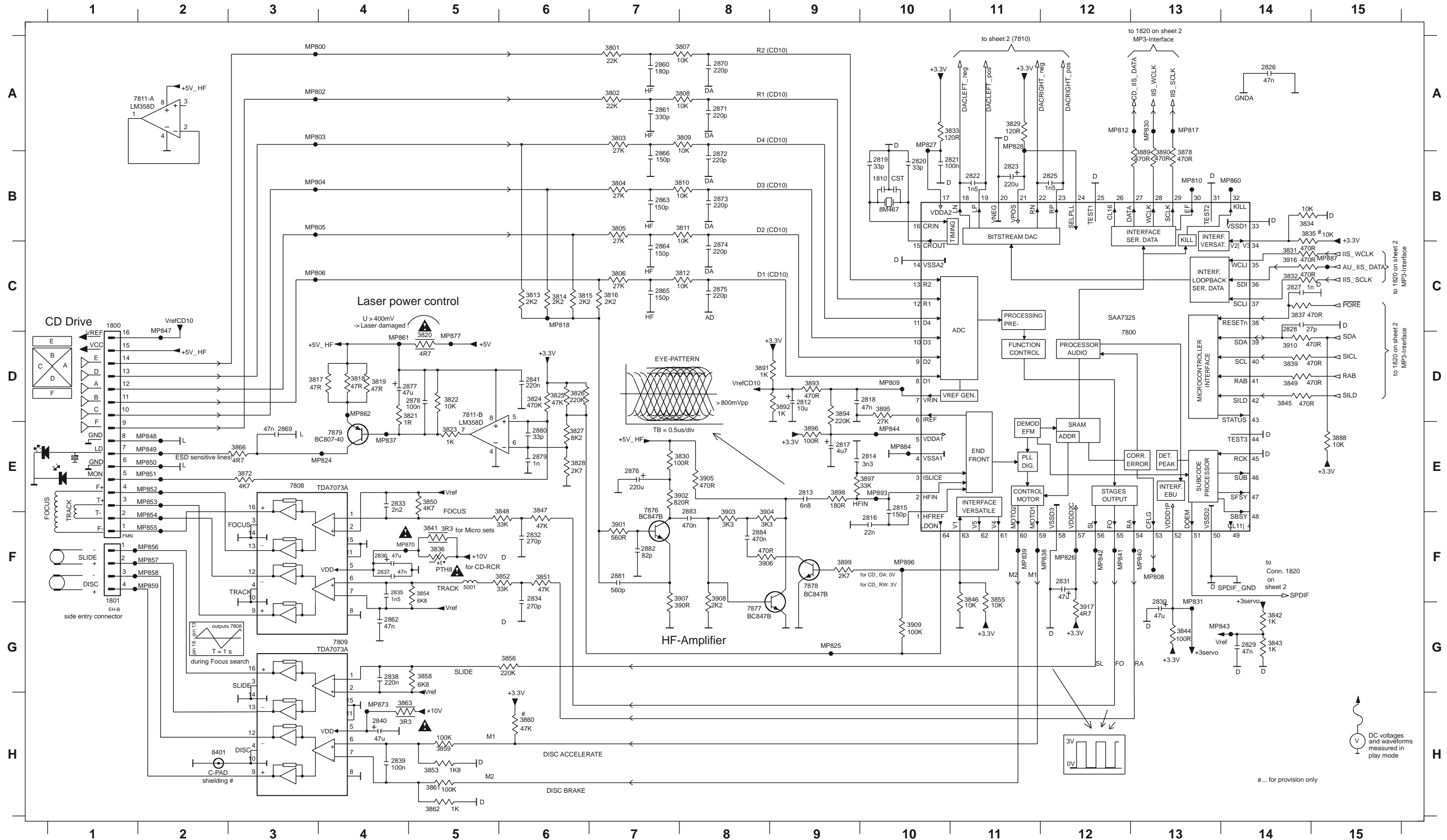
- * ... only assembled in FM/AM-version
- p... for provision only
- USA ... for USA version only
- LW ... for LW version only
- LW frame ... for LW version with frame aerial only
- E_EU ... for East European version only
- J ... for J APAN version only

...V FM mode stereo
...V MW mode
...V LW mode

voltages measured while set is tuned to a strong transmitter

COMBI BOARD - CIRCUIT DIAGRAM (CD PART 1)

| | | | | | | | | | | | | | | | | | | | | | | | | | | | | |
|----------|----------|----------|----------|---------|---------|---------|---------|---------|---------|---------|----------|----------|----------|----------|----------|----------|----------|----------|----------|-----------|-----------|-----------|-----------|-----------|-----------|----------|-----------|-----------|
| 1800 C1 | 2816 F10 | 2823 B11 | 2831 F12 | 2838 G4 | 2863 B7 | 2872 B8 | 2879 E6 | 3802 A7 | 3809 A8 | 3816 C7 | 3823 E5 | 3830 E7 | 3837 C14 | 3846 F11 | 3853 H5 | 3861 H5 | 3889 B12 | 3896 E9 | 3904 F8 | 3916 C14 | 7811-B D5 | MP802 A3 | MP810 B13 | MP827 A10 | MP840 F13 | MP849 E2 | MP856 F2 | MP870 F4 |
| 1801 G1 | 2817 E9 | 2825 B12 | 2832 F6 | 2839 H4 | 2864 C7 | 2873 B8 | 2880 E6 | 3803 A7 | 3810 B8 | 3817 D3 | 3824 D6 | 3831 C14 | 3839 D14 | 3847 E6 | 3854 F5 | 3862 H5 | 3890 B13 | 3897 E10 | 3905 E8 | 3917 G12 | 7876 F7 | MP803 A3 | MP812 A12 | MP828 A11 | MP841 F12 | MP850 E2 | MP857 F2 | MP873 H4 |
| 1810 B10 | 2818 D9 | 2826 A14 | 2833 E4 | 2840 H4 | 2865 C7 | 2874 C8 | 2881 F7 | 3804 B7 | 3811 B8 | 3818 D4 | 3825 D6 | 3832 C14 | 3841 F5 | 3848 F6 | 3855 F11 | 3863 H4 | 3891 D8 | 3898 E9 | 3906 F8 | 5001 F5 | 7877 G8 | MP804 B3 | MP817 A13 | MP829 A11 | MP842 F12 | MP851 E2 | MP858 F2 | MP877 D5 |
| 2812 D9 | 2819 B10 | 2827 C14 | 2834 G6 | 2841 D6 | 2866 B7 | 2875 C8 | 2882 F7 | 3805 B7 | 3812 C8 | 3819 D4 | 3826 D6 | 3833 A10 | 3842 G14 | 3849 D14 | 3856 G6 | 3866 E3 | 3892 D8 | 3899 F9 | 3907 F7 | 7800 C12 | 7878 F9 | MP805 B3 | MP818 C6 | MP831 G13 | MP843 G13 | MP852 E2 | MP859 F2 | MP884 E10 |
| 2813 E9 | 2820 B10 | 2828 C14 | 2835 F4 | 2842 A7 | 2869 E3 | 2876 E7 | 2883 F8 | 3806 C7 | 3813 C6 | 3820 D5 | 3827 E6 | 3834 B14 | 3843 G14 | 3850 E5 | 3858 G5 | 3872 E3 | 3893 D9 | 3901 F7 | 3908 F8 | 7808 E3 | 7879 E4 | MP806 C3 | MP824 E4 | MP837 E4 | MP844 E10 | MP853 E2 | MP860 B14 | MP887 C15 |
| 2814 E9 | 2821 B10 | 2829 G14 | 2836 F4 | 2843 A7 | 2870 A8 | 2877 D4 | 2884 F8 | 3807 A8 | 3814 C6 | 3821 D4 | 3828 E6 | 3835 B14 | 3844 G13 | 3851 F6 | 3859 H5 | 3878 B13 | 3894 D9 | 3902 E7 | 3909 G10 | 7809 G4 | 8401 H2 | MP808 F13 | MP825 G9 | MP838 F12 | MP847 D2 | MP854 F2 | MP861 D4 | MP888 E10 |
| 2815 E10 | 2822 B11 | 2830 G13 | 2837 F4 | 2862 G4 | 2871 A8 | 2878 D5 | 3801 A7 | 3808 A8 | 3815 C6 | 3822 D5 | 3829 A11 | 3836 F5 | 3845 D14 | 3852 F6 | 3860 H6 | 3888 E15 | 3895 D10 | 3903 F8 | 3910 D14 | 7811-A A2 | MP800 A3 | MP809 D10 | MP826 F12 | MP839 F11 | MP848 E2 | MP855 F2 | MP862 D4 | MP896 F10 |

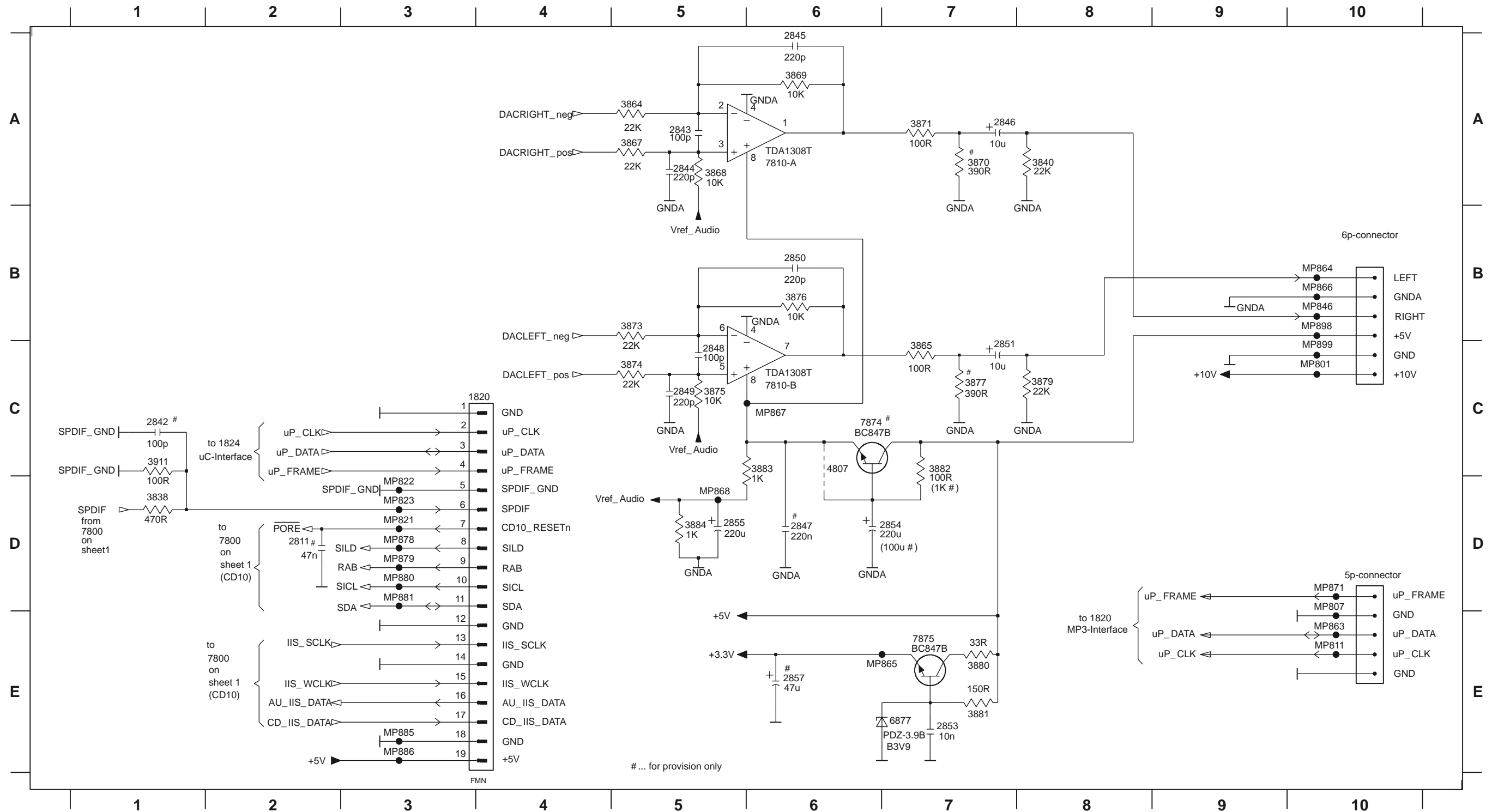


DC voltages and waveforms measured in play mode

#... for provision only

COMBI BOARD - CIRCUIT DIAGRAM
(CD PART 2)

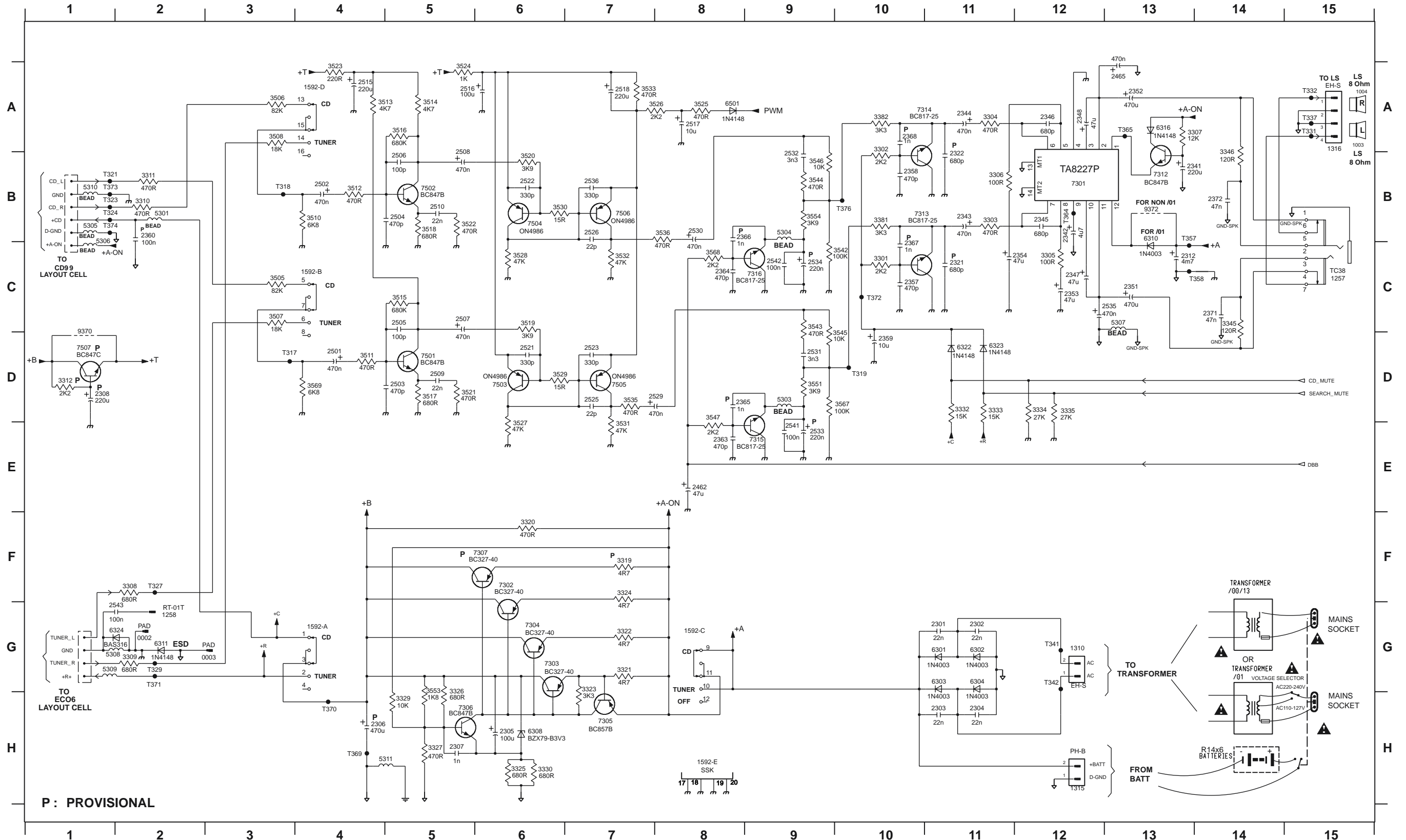
| | | | | | | | | | | | | | | | | |
|---------|---------|---------|---------|---------|---------|---------|---------|---------|-----------|-----------|-----------|-----------|-----------|-----------|-----------|-----------|
| 1820 C3 | 2844 A5 | 2848 C5 | 2853 E7 | 3838 D1 | 3867 A5 | 3871 A7 | 3876 B6 | 3881 E7 | 3911 C1 | 7810-B C6 | MP807 D10 | MP823 D3 | MP865 E7 | MP871 D10 | MP881 D3 | MP899 C10 |
| 2811 D2 | 2845 A6 | 2849 C5 | 2854 D6 | 3840 A7 | 3868 A5 | 3873 B5 | 3877 C7 | 3882 C7 | 4807 C6 | 7874 C7 | MP811 E10 | MP846 B10 | MP866 B10 | MP878 D3 | MP885 E3 | |
| 2842 C1 | 2846 A7 | 2850 B6 | 2855 D5 | 3864 A5 | 3869 A6 | 3874 C5 | 3879 C7 | 3883 C5 | 6877 E7 | 7875 E7 | MP821 D3 | MP863 E10 | MP867 C6 | MP879 D3 | MP886 E3 | |
| 2843 A5 | 2847 D6 | 2851 C7 | 2857 E6 | 3865 C7 | 3870 A7 | 3875 C5 | 3880 E7 | 3884 D5 | 7810-A A6 | MP801 C10 | MP822 D3 | MP864 B10 | MP868 D5 | MP880 D3 | MP898 B10 | |



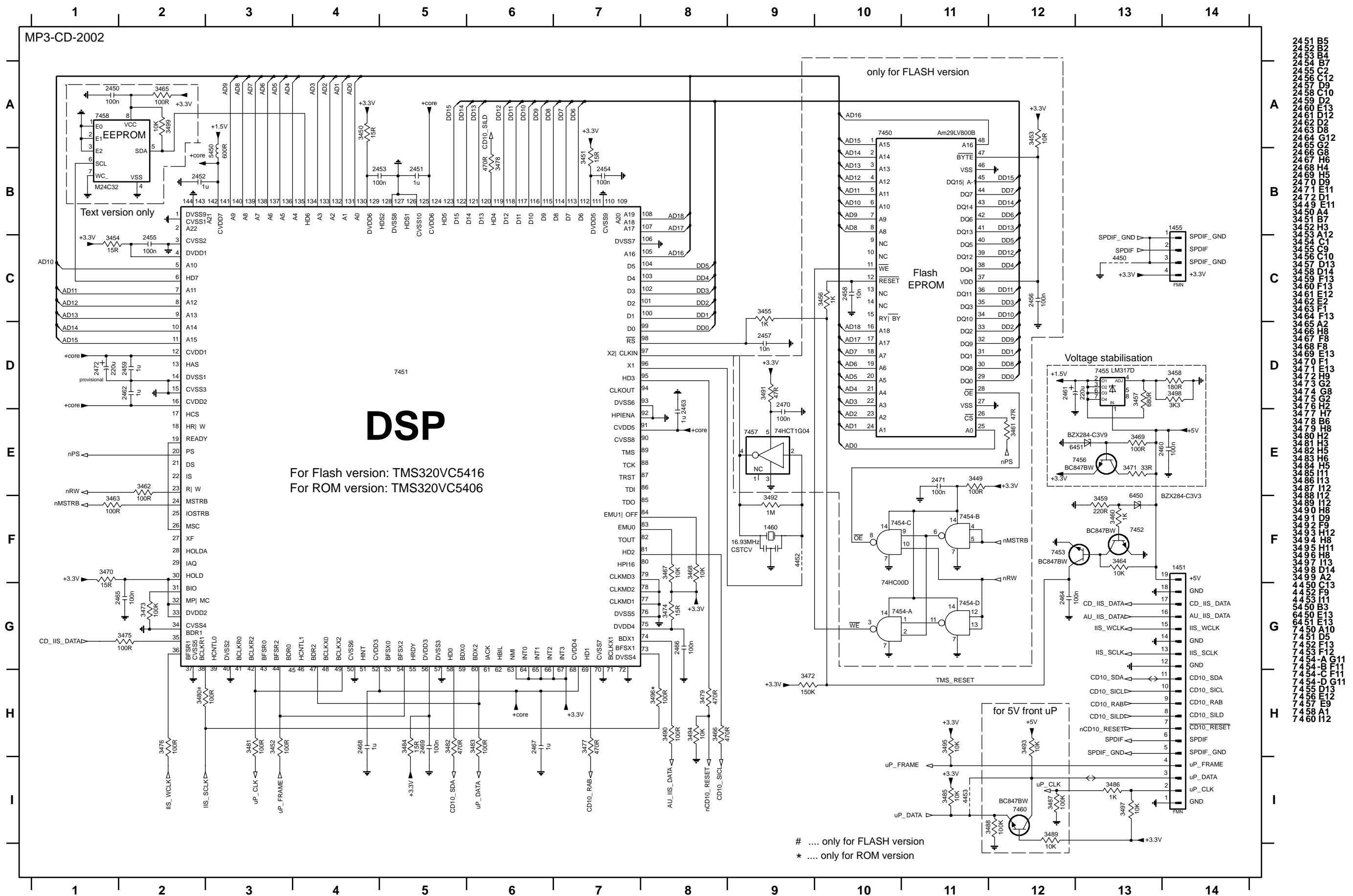
... for provision only

COMBI BOARD - CIRCUIT DIAGRAM (AUDIO/SUPPLY PART)

| | | | | | | | | | | | | | | | | | | | | | | | | | | | |
|----------|-----------|----------|----------|----------|----------|----------|---------|---------|----------|----------|---------|---------|----------|---------|---------|---------|---------|---------|----------|----------|----------|----------|----------|----------|----------|----------|----------|
| 0001 G2 | 1316 A15 | 2303 H11 | 2322 B11 | 2348 A12 | 2360 B2 | 2372 B14 | 2506 B5 | 2518 A7 | 2531 D9 | 2543 G2 | 3308 F2 | 3322 G7 | 3332 D11 | 3505 C3 | 3514 A5 | 3522 B5 | 3530 B6 | 3544 B9 | 3568 C8 | 5308 G1 | 6308 H6 | 7301 B12 | 7313 B10 | 7505 D7 | T321 B1 | T341 G12 | T371 G2 |
| 0002 G2 | 1592-A G4 | 2304 H11 | 2341 B13 | 2351 C13 | 2363 E8 | 2462 E8 | 2507 C5 | 2521 D6 | 2532 B9 | 3301 C10 | 3309 G2 | 3323 H7 | 3333 D11 | 3506 A3 | 3515 C5 | 3523 A4 | 3531 E7 | 3545 D9 | 3569 D4 | 5309 G1 | 6310 B13 | 7302 F6 | 7314 A10 | 7506 B7 | T323 B1 | T342 G12 | T372 C10 |
| 0003 G2 | 1592-B G4 | 2306 H6 | 2342 B12 | 2352 A13 | 2364 C8 | 2465 A13 | 2508 B5 | 2522 B6 | 2533 E9 | 3302 A10 | 3309 B2 | 3324 F7 | 3334 D12 | 3507 C3 | 3516 A5 | 3524 A5 | 3532 C7 | 3546 B9 | 3569 D4 | 5301 B2 | 6311 G2 | 7303 G6 | 7315 D8 | 7507 D2 | T324 B1 | T343 B13 | T373 B1 |
| 1003 A15 | 1592-C G8 | 2306 H4 | 2343 B11 | 2353 C12 | 2365 D8 | 2501 D4 | 2509 D5 | 2523 D7 | 2534 C9 | 3303 B11 | 3311 B2 | 3325 H6 | 3335 A12 | 3508 A3 | 3517 D5 | 3525 A8 | 3533 A7 | 3547 D8 | 5303 D9 | 5311 H5 | 6316 A13 | 7304 G6 | 7316 B8 | 7507 D1 | T327 F2 | T358 C14 | T374 B1 |
| 1004 A15 | 1592-D A4 | 2307 H5 | 2344 A11 | 2354 C11 | 2366 B8 | 2502 B4 | 2510 B5 | 2525 D7 | 2535 C12 | 3304 A11 | 3312 D1 | 3326 H5 | 3345 C14 | 3510 B4 | 3518 B5 | 3526 A8 | 3535 D7 | 3551 D9 | 5304 B9 | 6301 G11 | 6322 D11 | 7305 H7 | 7501 D5 | 9372 B13 | T329 G2 | T364 B12 | T376 B10 |
| 1257 C15 | 1592-E H8 | 2308 D1 | 2345 B12 | 2357 C10 | 2367 C10 | 2503 D4 | 2515 A4 | 2526 B7 | 2536 B7 | 3305 C12 | 3319 F7 | 3327 H5 | 3346 B14 | 3511 D4 | 3519 C6 | 3527 E6 | 3536 B8 | 3553 H5 | 5305 B1 | 6302 G11 | 6323 D11 | 7306 H5 | 7502 B5 | T317 D3 | T331 A15 | T365 A13 | |
| 1310 G12 | 2301 G11 | 2312 C13 | 2346 A12 | 2358 B10 | 2368 A10 | 2504 B4 | 2516 A6 | 2529 D8 | 2541 E9 | 3306 B11 | 3320 F6 | 3329 H5 | 3381 B10 | 3512 B4 | 3520 B6 | 3528 C6 | 3542 C9 | 3554 B9 | 5306 C1 | 6303 G11 | 6324 G2 | 7307 F5 | 7503 D6 | T318 B3 | T332 A15 | T369 H4 | |
| 1315 H12 | 2302 G11 | 2321 C11 | 2347 C12 | 2359 D10 | 2371 C14 | 2505 C5 | 2517 A8 | 2530 B8 | 2542 C9 | 3307 A13 | 3321 G7 | 3330 H6 | 3382 A10 | 3513 A4 | 3521 D5 | 3529 D6 | 3543 C9 | 3567 D9 | 5307 C13 | 6304 G11 | 6501 A8 | 7312 B13 | 7504 B6 | T319 D10 | T337 A15 | T370 H4 | |



CIRCUIT DIAGRAM - MP3CD2002 BOARD



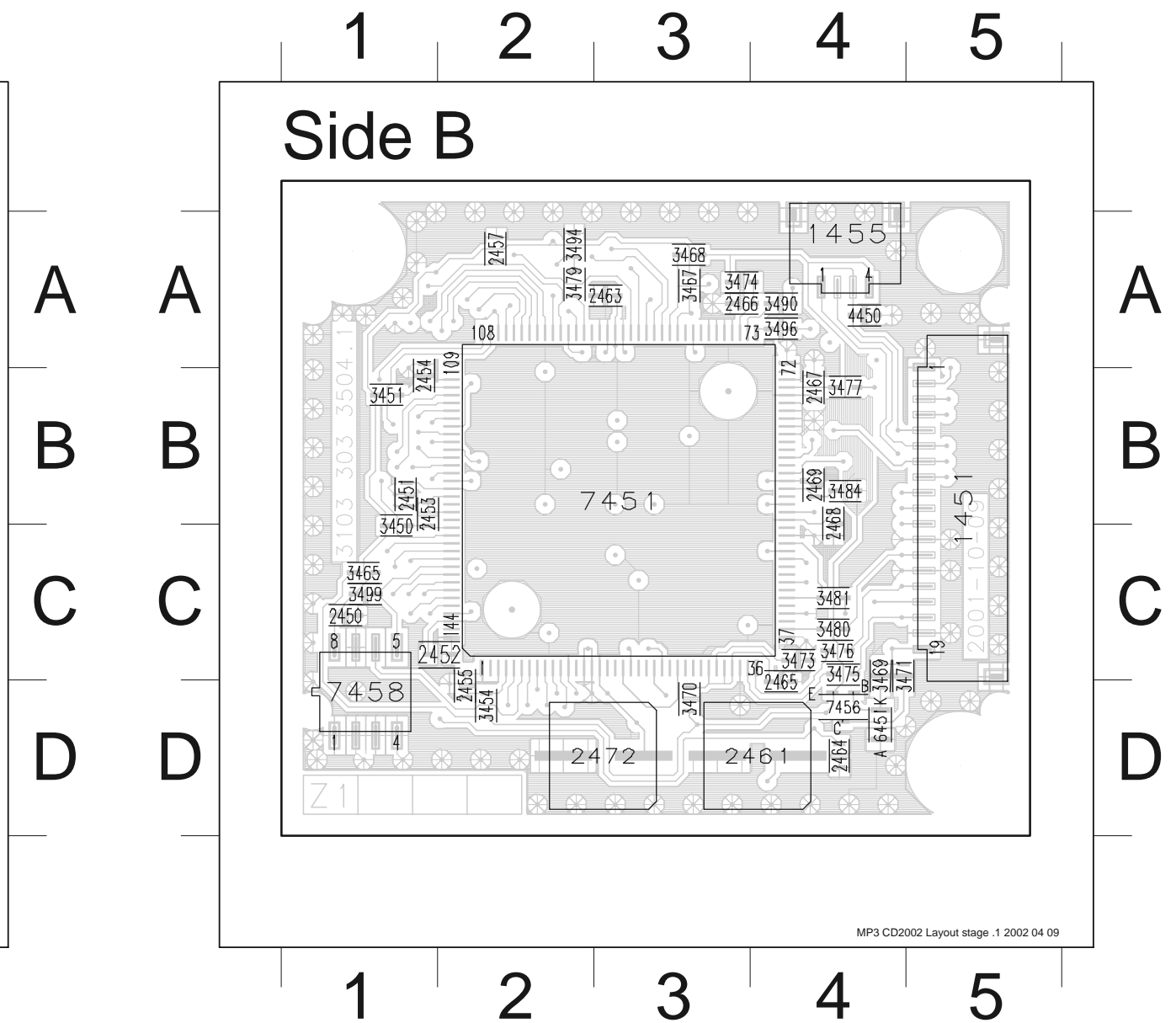
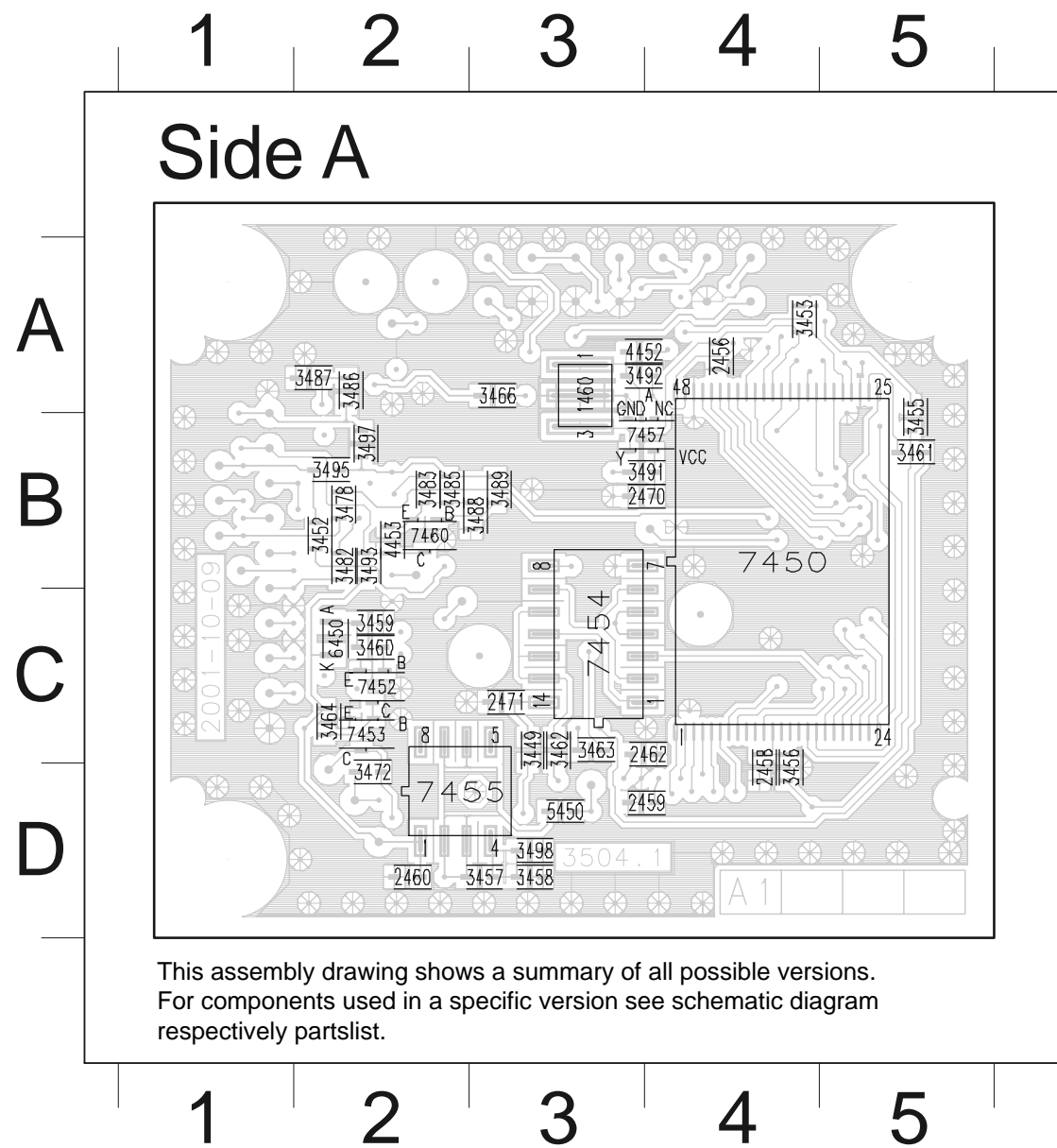
- 24 51 B5
- 24 52 B2
- 24 53 B4
- 24 54 B7
- 24 55 C2
- 24 56 C12
- 24 57 D9
- 24 58 C10
- 24 59 D2
- 24 60 F13
- 24 61 D12
- 24 62 D2
- 24 63 D8
- 24 64 G12
- 24 65 G2
- 24 66 G8
- 24 67 H6
- 24 68 H4
- 24 69 H5
- 24 70 D9
- 24 71 F11
- 24 72 D1
- 34 49 E11
- 34 50 A4
- 34 51 B7
- 34 52 H3
- 34 53 A12
- 34 54 C1
- 34 55 C9
- 34 56 C10
- 34 57 D13
- 34 58 D14
- 34 59 F13
- 34 60 F13
- 34 61 E12
- 34 62 E2
- 34 63 F1
- 34 64 F13
- 34 65 A2
- 34 66 H8
- 34 67 F8
- 34 68 F8
- 34 69 E13
- 34 70 F13
- 34 71 E13
- 34 72 H9
- 34 73 G2
- 34 74 G8
- 34 75 G2
- 34 76 H2
- 34 77 H7
- 34 78 B6
- 34 79 H8
- 34 80 H2
- 34 81 F9
- 34 82 H5
- 34 83 H6
- 34 84 H5
- 34 85 I11
- 34 86 I13
- 34 87 I12
- 34 88 I12
- 34 89 I12
- 34 90 H8
- 34 91 D9
- 34 92 F9
- 34 93 H12
- 34 94 H8
- 34 95 H11
- 34 96 H8
- 34 97 I13
- 34 98 D14
- 34 99 A2
- 44 50 C13
- 44 52 F9
- 44 53 H1
- 54 50 B3
- 64 50 E13
- 74 50 A10
- 74 51 D5
- 74 52 F13
- 74 53 F12
- 74 54 A G11
- 74 54 B F11
- 74 54 C F11
- 74 54 D G11
- 74 55 D13
- 74 56 D12
- 74 57 E9
- 74 58 A1
- 74 60 I12

.... only for FLASH version
 * only for ROM version

LAYOUT DIAGRAM - MP3CD2002 BOARD

| | | | | | |
|---------|---------|---------|---------|---------|---------|
| 1460 A3 | 3449 C3 | 3460 C2 | 3482 B2 | 3492 A3 | 6450 C2 |
| 2456 A4 | 3452 B2 | 3461 B5 | 3483 B2 | 3493 B2 | 7450 B4 |
| 2458 D4 | 3453 A4 | 3462 C3 | 3485 B2 | 3495 B2 | 7452 C2 |
| 2459 D4 | 3455 B5 | 3463 C3 | 3486 A2 | 3497 B2 | 7453 C2 |
| 2460 D2 | 3456 D4 | 3464 C2 | 3487 A2 | 3498 D3 | 7454 C3 |
| 2462 C4 | 3457 D3 | 3466 A3 | 3488 B3 | 4452 A3 | 7455 D2 |
| 2470 B4 | 3458 D3 | 3472 D2 | 3489 B3 | 4453 B2 | 7457 B4 |
| 2471 C3 | 3459 C2 | 3478 B2 | 3491 B4 | 5450 D3 | 7460 B2 |

| | | | | | |
|---------|---------|---------|---------|---------|---------|
| 1451 B5 | 2457 A2 | 2469 B4 | 3469 C4 | 3479 A2 | 4450 A4 |
| 1455 A4 | 2461 D4 | 2472 D3 | 3470 D3 | 3480 C4 | 6451 D4 |
| 2450 C1 | 2463 A3 | 3450 C1 | 3471 C4 | 3481 C4 | 7451 B3 |
| 2451 B1 | 2464 D4 | 3451 B1 | 3473 C4 | 3484 B4 | 7456 D4 |
| 2452 C2 | 2465 D4 | 3454 D2 | 3474 A3 | 3490 A4 | 7458 D1 |
| 2453 B1 | 2466 A3 | 3465 C1 | 3475 C4 | 3494 A2 | |
| 2454 B1 | 2467 B4 | 3467 A3 | 3476 C4 | 3496 A4 | |
| 2455 D2 | 2468 B4 | 3468 A3 | 3477 B4 | 3499 C1 | |



EXPLODED VIEW DIAGRAM - CABINET

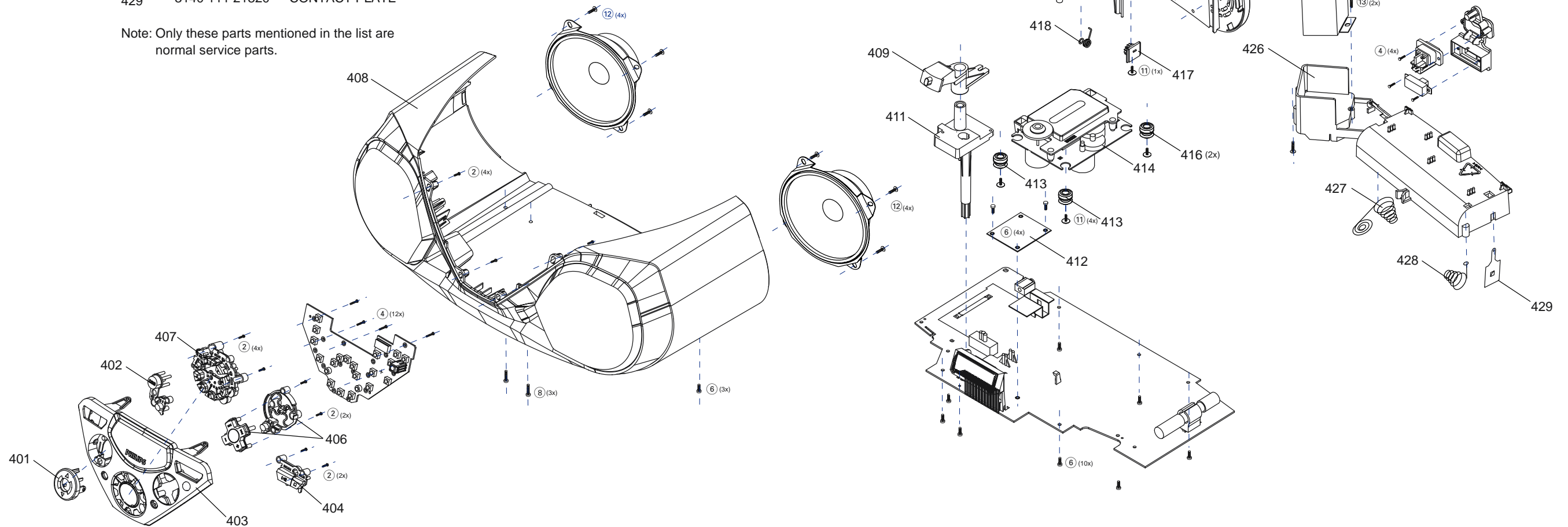
MECHANICAL PARTSLIST - CABINET

| | | |
|-----|----------------|--------------------------|
| 401 | 3140 114 42810 | KNOB-VOKUME |
| 402 | 3140 114 42920 | KNOB-DBB/BAND |
| 403 | 3140 117 63020 | FRONT PANEL ASS' Y |
| 404 | 3140 114 42820 | CD BUTTON-PLAY/STOP |
| 406 | 3140 114 42840 | BUTTON-SEARCH |
| | | |
| 407 | 3140 114 42900 | TUNER KEYSET |
| 408 | 3140 117 63000 | BOTTOM CABINET ASS' Y |
| 409 | 3140 114 42850 | MODE-LEVER |
| 411 | 3140 114 42860 | SLIDE-BASE |
| 412 | 3103 308 66430 | PBAS MP3CD2002 TXT |
| | | |
| 413 | 4822 529 10387 | DAMPER - RUBBER (40 DEG) |
| 414 | 3103 309 05410 | CD MCD2-SC ASSY |
| 416 | 4822 529 10386 | DAMPER - RUBBER (30 DEG) |
| 417 | 4822 529 10322 | DAMPER ASSY |
| 418 | 3140 111 01250 | SPRING-CD DOOR |
| | | |
| 419 | 3140 117 63010 | TOP CABINET ASS' Y |
| 421 | 3140 114 42790 | DOOR-CD |
| 422 | 3140 114 42950 | HANDLE |
| 423 | 3140 118 71810 | TELESCOPIC AERIAL |
| 424 | 3140 114 41230 | BATTERY DOOR |
| | | |
| 426 | 3140 114 41320 | BATTERY COMPARTMENT |
| 427 | 3140 111 00790 | SPRING-PLUS/MINUS |
| 428 | 3140 111 00780 | SPRING-COMPRESSION (-) |
| 429 | 3140 111 21320 | CONTACT PLATE |

SCREW LIST :

| | |
|---|----------------|
| ① | T3 x 6 |
| ② | T2 x 8 |
| ③ | T2 x 10 |
| ④ | T2.5 x 10 |
| ⑤ | T3 x 8 |
| ⑥ | T3 x 10 |
| ⑦ | T3 x 12 |
| ⑧ | T3 x 16 |
| ⑨ | T3 x 20 |
| ⑩ | T3 x 32 |
| ⑪ | C P/W 2.5 x 10 |
| ⑫ | T P/W 3 x 10 |
| ⑬ | T P/W 3 x 12 |
| ⑭ | T P/W 3 x 16 |

Note: Only these parts mentioned in the list are normal service parts.



ELECTRICAL PARTSLIST - COMBI BOARD**- MISCELLANEOUS -**

| | | |
|------|----------------|-------------------------|
| 1106 | 3140 114 50050 | FERRITE BAR 80MM(/00C) |
| 1106 | 2422 549 44211 | FERRITE BAR(/01) |
| 1257 | 2422 026 05076 | HEADPHONE SOCKET |
| 1404 | 3140 110 51480 | LCD PANEL 91772TR |
| 1407 | 4822 276 12889 | MICRO SWITCH (DOOR) |
| 1470 | 2422 128 02917 | SWITCH-TACT |
| 1471 | 2422 128 02917 | SWITCH-TACT |
| 1472 | 2422 128 02917 | SWITCH-TACT |
| 1473 | 2422 128 02917 | SWITCH-TACT |
| 1474 | 2422 128 02917 | SWITCH-TACT |
| 1475 | 2422 128 02917 | SWITCH-TACT |
| 1476 | 2422 128 02917 | SWITCH-TACT |
| 1477 | 2422 128 02917 | SWITCH-TACT |
| 1478 | 2422 128 02917 | SWITCH-TACT |
| 1479 | 2422 128 02917 | SWITCH-TACT |
| 1480 | 2422 128 02917 | SWITCH-TACT |
| 1481 | 2422 128 02917 | SWITCH-TACT |
| 1482 | 2422 128 02917 | SWITCH-TACT |
| 1483 | 2422 128 02917 | SWITCH-TACT |
| 1484 | 2422 128 02917 | SWITCH-TACT |
| 1485 | 2422 128 02917 | SWITCH-TACT |
| 1486 | 2422 128 02917 | SWITCH-TACT |
| 1488 | 2422 128 02917 | SWITCH-TACT |
| 1489 | 2422 128 02917 | SWITCH-TACT |
| 1491 | 2422 128 02917 | SWITCH-TACT |
| 1492 | 2422 128 02917 | SWITCH-TACT |
| 1592 | 2422 127 00542 | SWITCH-SLIDE 4P3T |

- CAPACITORS -

| | | |
|------|----------------|-----------------------|
| 2101 | 4822 126 11785 | 47pF 5% NP0 50V |
| 2103 | 5322 126 11578 | 1nF 10% X7R 50V |
| 2104 | 2020 552 94427 | 100pF 5% NP0 50V |
| 2106 | 2020 800 00191 | CTRM 100V 3-11pF N450 |
| 2107 | 4822 121 51319 | 1µF 10% 63V |
| 2110 | 2020 552 94427 | 100pF 5% NP0 50V |
| 2111 | 2222 867 15339 | 33pF 5% NP0 50V |
| 2120 | 4822 122 33761 | 22pF 5% NP0 50V |
| 2120 | 3198 016 31890 | 18pF NP0 50V(/01) |
| 2122 | 5322 126 11579 | 3,3nF 10% X7R 63V |
| 2123 | 2238 861 18391 | 390pF 1% NP0 50V |
| 2124 | 3198 017 32230 | 22nF X7R 25V(/01) |
| 2125 | 2238 861 18561 | 560pF 1% NP0 50V |
| 2126 | 4822 126 14241 | 330pF 5% NP0 50V |
| 2127 | 4822 126 13879 | 220nF +80-20% 16V |
| 2128 | 4822 124 40248 | 10µF 20% 63V |
| 2129 | 4822 124 41584 | 100µF 20% 10V |
| 2130 | 3198 017 44740 | 470nF 20% Y5V 10V |
| 2131 | 3198 017 44740 | 470nF 20% Y5V 10V |
| 2132 | 3198 017 44740 | 470nF 20% Y5V 10V |

- CAPACITORS -

| | | |
|------|----------------|-----------------------|
| 2133 | 4822 124 22651 | 1µF 20% 50V |
| 2134 | 3198 017 31530 | 15nF 10% X7R 50V |
| 2135 | 3198 017 31530 | 15nF 10% X7R 50V |
| 2136 | 4822 126 13879 | 220nF +80-20% 16V |
| 2137 | 4822 126 13879 | 220nF +80-20% 16V |
| 2138 | 4822 124 22652 | 2,2µF 20% 50V |
| 2139 | 4822 122 33752 | 15pF 5% NP0 50V |
| 2140 | 4822 126 14226 | 82pF 5% NP0 50V |
| 2141 | 2238 586 59812 | 100nF +80-20% Y5V 50V |
| 2144 | 3198 017 44740 | 470nF 20% Y5V 10V |
| 2145 | 4822 126 13883 | 220pF 5% 50V |
| 2146 | 4822 122 33575 | 220pF 5% NP0 63V |
| 2147 | 4822 126 13883 | 220pF 5% 50V |
| 2148 | 4822 126 14238 | 2,2nF 10% X7R 50V |
| 2150 | 4822 126 14585 | 100nF 10% X7R 50V |
| 2152 | 4822 126 14549 | 33nF 10% X7R 16V |
| 2153 | 4822 122 33752 | 15pF 5% NP0 50V |
| 2155 | 2020 800 00191 | CTRM 100V 3-11pF N450 |
| 2159 | 2222 867 15339 | 33pF 5% NP0 50V |
| 2163 | 2238 586 59812 | 100nF +80-20% Y5V 50V |
| 2164 | 3198 017 44740 | 470nF 20% Y5V 10V |
| 2165 | 2238 586 59812 | 100nF +80-20% Y5V 50V |
| 2166 | 5322 126 11578 | 1nF 10% X7R 50V |
| 2167 | 4822 126 11663 | 12pF 1% 50V |
| 2186 | 4822 124 40196 | 220µF 20% 16V |
| 2187 | 5322 126 11583 | 10nF 10% X7R 50V |
| 2188 | 5322 126 11583 | 10nF 10% X7R 50V |
| 2189 | 4822 126 13879 | 220nF +80-20% 16V |
| 2190 | 4822 124 81151 | 22µF 20% 50V |
| 2191 | 4822 124 81151 | 22µF 20% 50V |
| 2192 | 5322 126 11578 | 1nF 10% X7R 50V |
| 2193 | 5322 126 11578 | 1nF 10% X7R 50V |
| 2194 | 5322 126 11578 | 1nF 10% X7R 50V |
| 2195 | 4822 124 81151 | 22µF 20% 50V |
| 2196 | 5322 126 11583 | 10nF 10% X7R 50V |
| 2197 | 5322 126 11583 | 10nF 10% X7R 50V |
| 2301 | 4822 126 11585 | 22nF +80-20% Y5V 25V |
| 2302 | 4822 126 11585 | 22nF +80-20% Y5V 25V |
| 2303 | 4822 126 11585 | 22nF +80-20% Y5V 25V |
| 2304 | 4822 126 11585 | 22nF +80-20% Y5V 25V |
| 2305 | 4822 124 80231 | 47µF 20% 16V |
| 2306 | 4822 124 80791 | 470µF 20% 16V |
| 2307 | 5322 126 11578 | 1nF 10% X7R 50V |
| 2312 | 4822 124 11878 | 4700µF 16V |
| 2341 | 4822 124 40196 | 220µF 20% 16V |
| 2342 | 4822 124 40769 | 4,7µF 20% 100V |
| 2343 | 4822 124 41407 | 0,47µF 20% 63V |
| 2344 | 4822 124 41407 | 0,47µF 20% 63V |
| 2345 | 4822 126 13909 | 680pF 10% X7R 50V |
| 2346 | 4822 126 13909 | 680pF 10% X7R 50V |

ELECTRICAL PARTSLIST - COMBI BOARD**- CAPACITORS -**

| | | |
|------|----------------|-----------------------|
| 2347 | 4822 124 40433 | 47µF 20% 25V |
| 2348 | 4822 124 40433 | 47µF 20% 25V |
| 2351 | 4822 124 80195 | 470µF 20% 10V |
| 2352 | 4822 124 80195 | 470µF 20% 10V |
| 2353 | 4822 124 40433 | 47µF 20% 25V |
| 2354 | 4822 124 40433 | 47µF 20% 25V |
| 2357 | 4822 126 13881 | 470pF 5% 50V |
| 2358 | 4822 126 13881 | 470pF 5% 50V |
| 2359 | 4822 124 40248 | 10µF 20% 63V |
| 2363 | 4822 126 13881 | 470pF 5% 50V |
| 2364 | 4822 126 13881 | 470pF 5% 50V |
| 2371 | 3198 017 34730 | 47nF 10% X7R 16V |
| 2372 | 3198 017 34730 | 47nF 10% X7R 16V |
| 2401 | 3198 017 41050 | 1µF 20% Y5V 10V |
| 2403 | 4822 124 41584 | 100µF 20% 10V |
| 2405 | 2020 552 94427 | 100pF 5% NP0 50V |
| 2406 | 2020 552 94427 | 100pF 5% NP0 50V |
| 2407 | 2020 552 94427 | 100pF 5% NP0 50V |
| 2408 | 2020 552 94427 | 100pF 5% NP0 50V |
| 2409 | 4822 126 13956 | 68pF 5% NP0 63V |
| 2410 | 5322 126 11583 | 10nF 10% X7R 50V |
| 2412 | 2238 586 59812 | 100nF +80-20% Y5V 50V |
| 2413 | 2238 586 59812 | 100nF +80-20% Y5V 50V |
| 2416 | 5322 126 11583 | 10nF 10% X7R 50V |
| 2417 | 5322 126 11583 | 10nF 10% X7R 50V |
| 2418 | 2238 586 59812 | 100nF +80-20% Y5V 50V |
| 2419 | 2020 552 94427 | 100pF 5% NP0 50V |
| 2420 | 4822 124 12032 | 4,7µF 20% 50V |
| 2421 | 5322 126 11578 | 1nF 10% X7R 50V |
| 2424 | 2020 552 94427 | 100pF 5% NP0 50V |
| 2426 | 5322 126 11583 | 10nF 10% X7R 50V |
| 2450 | 2020 552 94427 | 100pF 5% NP0 50V |
| 2451 | 5322 126 11583 | 10nF 10% X7R 50V |
| 2452 | 2020 552 94427 | 100pF 5% NP0 50V |
| 2454 | 4822 126 13879 | 220nF +80-20% 16V |
| 2455 | 4822 126 13879 | 220nF +80-20% 16V |
| 2456 | 4822 126 13879 | 220nF +80-20% 16V |
| 2457 | 4822 126 13879 | 220nF +80-20% 16V |
| 2460 | 2020 552 94427 | 100pF 5% NP0 50V |
| 2462 | 4822 124 40433 | 47µF 20% 25V |
| 2463 | 2238 586 59812 | 100nF +80-20% Y5V 50V |
| 2464 | 4822 124 41584 | 100µF 20% 10V |
| 2465 | 4822 124 41407 | 0,47µF 20% 63V |
| 2466 | 4822 124 40769 | 4,7µF 20% 100V |
| 2467 | 4822 122 33752 | 15pF 5% NP0 50V |
| 2468 | 4822 122 33752 | 15pF 5% NP0 50V |
| 2501 | 4822 124 41407 | 0,47µF 20% 63V |
| 2502 | 4822 124 41407 | 0,47µF 20% 63V |
| 2503 | 4822 126 13881 | 470pF 5% 50V |
| 2504 | 4822 126 13881 | 470pF 5% 50V |

- CAPACITORS -

| | | |
|------|----------------|-----------------------|
| 2505 | 2020 552 94427 | 100pF 5% NP0 50V |
| 2506 | 2020 552 94427 | 100pF 5% NP0 50V |
| 2507 | 4822 124 41407 | 0,47µF 20% 63V |
| 2508 | 4822 124 41407 | 0,47µF 20% 63V |
| 2509 | 3198 017 42230 | 22nF 20% Y5V 50V |
| 2510 | 3198 017 42230 | 22nF 20% Y5V 50V |
| 2515 | 4822 124 40196 | 220µF 20% 16V |
| 2516 | 4822 124 23052 | 100µF 20% 16V |
| 2517 | 4822 124 21732 | 10µF 20% 25V |
| 2518 | 4822 124 40196 | 220µF 20% 16V |
| 2521 | 4822 126 14241 | 330pF 5% NP0 50V |
| 2522 | 4822 126 14241 | 330pF 5% NP0 50V |
| 2523 | 4822 126 14241 | 330pF 5% NP0 50V |
| 2525 | 4822 122 33761 | 22pF 5% NP0 50V |
| 2526 | 4822 122 33761 | 22pF 5% NP0 50V |
| 2529 | 4822 124 41407 | 0,47µF 20% 63V |
| 2530 | 4822 124 41407 | 0,47µF 20% 63V |
| 2531 | 5322 126 11579 | 3,3nF 10% X7R 63V |
| 2532 | 5322 126 11579 | 3,3nF 10% X7R 63V |
| 2535 | 4822 124 41407 | 0,47µF 20% 63V |
| 2536 | 4822 126 14241 | 330pF 5% NP0 50V |
| 2541 | 2238 586 59812 | 100nF +80-20% Y5V 50V |
| 2542 | 2238 586 59812 | 100nF +80-20% Y5V 50V |
| 2543 | 5322 121 42386 | 100nF 5% 63V |
| 2812 | 4822 124 40248 | 10µF 20% 63V |
| 2813 | 5322 126 11582 | 6,8nF 10% X7R 63V |
| 2814 | 5322 126 11579 | 3,3nF 10% X7R 63V |
| 2815 | 4822 122 33753 | 150pF 5% NP0 50V |
| 2816 | 4822 126 14494 | 22nF 10% X7R 25V |
| 2817 | 4822 124 40769 | 4,7µF 20% 100V |
| 2818 | 3198 017 34730 | 47nF 10% X7R 16V |
| 2821 | 2238 586 59812 | 100nF +80-20% Y5V 50V |
| 2822 | 4822 126 13344 | 1,5nF 5% 63V |
| 2823 | 4822 124 42383 | 220µF 20% 4V |
| 2825 | 4822 126 13344 | 1,5nF 5% 63V |
| 2826 | 3198 017 34730 | 47nF 10% X7R 16V |
| 2827 | 5322 126 11578 | 1nF 10% X7R 50V |
| 2828 | 4822 126 11669 | 27pF 1% 50V |
| 2829 | 3198 017 34730 | 47nF 10% X7R 16V |
| 2830 | 4822 124 81286 | 47µF 20% 16V |
| 2831 | 4822 124 81286 | 47µF 20% 16V |
| 2832 | 4822 126 14506 | 270pF 5% NP0 50V |
| 2833 | 4822 126 14238 | 2,2nF 10% X7R 50V |
| 2834 | 4822 126 14506 | 270pF 5% NP0 50V |
| 2835 | 4822 126 14247 | 1,5nF 10% X7R 50V |
| 2836 | 4822 124 40433 | 47µF 20% 25V |
| 2837 | 3198 017 34730 | 47nF 10% X7R 16V |
| 2838 | 4822 126 13879 | 220nF +80-20% 16V |
| 2839 | 2238 586 59812 | 100nF +80-20% Y5V 50V |
| 2840 | 4822 124 81286 | 47µF 20% 16V |

ELECTRICAL PARTSLIST - COMBI BOARD**- CAPACITORS -**

| | | |
|------|----------------|-----------------------|
| 2841 | 4822 126 13879 | 220nF +80-20% 16V |
| 2843 | 2020 552 94427 | 100pF 5% NP0 50V |
| 2844 | 4822 126 13883 | 220pF 5% 50V |
| 2845 | 4822 126 13883 | 220pF 5% 50V |
| 2846 | 4822 124 21732 | 10µF 20% 25V |
| 2847 | 4822 126 13879 | 220nF +80-20% 16V |
| 2848 | 2020 552 94427 | 100pF 5% NP0 50V |
| 2849 | 4822 126 13883 | 220pF 5% 50V |
| 2850 | 4822 126 13883 | 220pF 5% 50V |
| 2851 | 4822 124 11947 | 10µF 20% 16V |
| 2853 | 5322 126 11583 | 10nF 10% X7R 50V |
| 2854 | 4822 124 41584 | 100µF 20% 10V |
| 2855 | 4822 124 11912 | 220µF 20% 6,3V |
| 2860 | 4822 126 14508 | 180pF 5% NP0 50V |
| 2861 | 4822 126 14241 | 330pF 5% NP0 50V |
| 2862 | 3198 017 34730 | 47nF 10% X7R 16V |
| 2863 | 4822 122 33753 | 150pF 5% NP0 50V |
| 2864 | 4822 122 33753 | 150pF 5% NP0 50V |
| 2865 | 4822 122 33753 | 150pF 5% NP0 50V |
| 2866 | 4822 122 33753 | 150pF 5% NP0 50V |
| 2869 | 3198 017 34730 | 47nF 10% X7R 16V |
| 2870 | 4822 126 13883 | 220pF 5% 50V |
| 2871 | 4822 126 13883 | 220pF 5% 50V |
| 2872 | 4822 126 13883 | 220pF 5% 50V |
| 2873 | 4822 126 13883 | 220pF 5% 50V |
| 2874 | 4822 126 13883 | 220pF 5% 50V |
| 2875 | 4822 126 13883 | 220pF 5% 50V |
| 2876 | 4822 124 40196 | 220µF 20% 16V |
| 2877 | 4822 124 40433 | 47µF 20% 25V |
| 2878 | 2238 586 59812 | 100nF +80-20% Y5V 50V |
| 2879 | 5322 126 11578 | 1nF 10% X7R 50V |
| 2880 | 2222 867 15339 | 33pF 5% NP0 50V |
| 2881 | 4822 126 14249 | 560pF 10% X7R 50V |
| 2882 | 4822 126 14226 | 82pF 5% NP0 50V |
| 2883 | 3198 017 44740 | 470nF 20% Y5V 10V |
| 2884 | 3198 017 44740 | 470nF 20% Y5V 10V |

- RESISTORS -

| | | |
|------|----------------|----------------|
| 3125 | 4822 051 30103 | 10K 5% 0,062W |
| 3128 | 4822 051 30222 | 2,2K 5% 0,062W |
| 3132 | 4822 051 30479 | 47R 5% 0,062W |
| 3134 | 4822 051 30223 | 22K 5% 0,062W |
| 3137 | 4822 051 30153 | 15K 5% 0,062W |
| 3141 | 4822 051 30563 | 56K 5% 0,062W |
| 3142 | 4822 100 12159 | 100K 30% |
| 3145 | 4822 051 30222 | 2,2K 5% 0,062W |
| 3152 | 4822 051 30471 | 470R 5% 0,062W |
| 3153 | 4822 051 30471 | 470R 5% 0,062W |

- RESISTORS -

| | | |
|------|----------------|----------------------|
| 3155 | 4822 051 30479 | 47R 5% 0,062W |
| 3156 | 3198 021 31040 | 100K 5%(/01) |
| 3158 | 4822 051 30471 | 470R 5% 0,062W |
| 3159 | 4822 051 30471 | 470R 5% 0,062W |
| 3160 | 4822 051 30471 | 470R 5% 0,062W |
| 3161 | 4822 051 20223 | 22K 5% 0,1W |
| 3166 | 4822 051 20479 | 47R 5% 0,1W |
| 3167 | 4822 051 20479 | 47R 5% 0,1W |
| 3169 | 4822 051 20154 | 150K 5% 0,1W |
| 3170 | 3198 021 31040 | 100K 5% (/01) |
| 3180 | 4822 051 30103 | 10K 5% 0,062W |
| 3186 | 4822 117 11448 | 180R 1% 0,1W |
| 3187 | 4822 051 30102 | 1K 5% 0,062W |
| 3188 | 4822 051 30222 | 2,2K 5% 0,062W |
| 3189 | 4822 051 30223 | 22K 5% 0,062W |
| 3190 | 4822 051 30103 | 10K 5% 0,062W |
| 3191 | 4822 051 30472 | 4,7K 5% 0,062W |
| 3192 | 4822 051 30105 | 1M 5% 0,062W |
| 3193 | 4822 051 30222 | 2,2K 5% 0,062W |
| 3194 | 4822 117 13632 | 100K 1% 0,62W |
| 3195 | 4822 051 30474 | 470K 5% 0,062W |
| 3196 | 4822 051 30103 | 10K 5% 0,062W |
| 3301 | 4822 051 30222 | 2,2K 5% 0,062W |
| 3302 | 4822 116 52256 | 2,2K 5% 0,5W |
| 3303 | 4822 051 30471 | 470R 5% 0,062W |
| 3304 | 4822 051 30471 | 470R 5% 0,062W |
| 3305 | 4822 051 30101 | 100R 5% 0,062W |
| 3306 | 4822 051 30101 | 100R 5% 0,062W |
| 3307 | 4822 116 52238 | 12K 5% 0,5W |
| 3308 | 4822 116 52228 | 680R 5% 0,5W |
| 3309 | 4822 116 52228 | 680R 5% 0,5W |
| 3310 | 4822 11712902 | 8,2K 5% 0,062W |
| 3311 | 4822 11712902 | 8,2K 5% 0,062W |
| 3320 | 4822 116 83883 | 470R 5% 0,5W |
| 3321 | 4822 050 24708 | 4,7R 1% 0,6W |
| 3322 | 4822 050 24708 | 4,7R 1% 0,6W |
| 3323 | 4822 051 30332 | 3,3K 5% 0,062W |
| 3324 | 4822 050 24708 | 4,7R 1% 0,6W |
| 3325 | 4822 116 52228 | 680R 5% 0,5W |
| 3326 | 5322 117 13051 | 680R 1% 0,062W RC22H |
| 3327 | 5322 117 13049 | 470R 1% 0,062W RC22H |
| 3330 | 4822 116 52228 | 680R 5% 0,5W |
| 3332 | 4822 116 52244 | 15K 5% 0,5W |
| 3333 | 4822 051 30153 | 15K 5% 0,062W |
| 3334 | 4822 116 52264 | 27K 5% 0,5W |
| 3335 | 4822 051 30273 | 27K 5% 0,062W |
| 3345 | 4822 116 52206 | 120R 5% 0,5W |
| 3346 | 4822 116 52206 | 120R 5% 0,5W |
| 3381 | 4822 051 30682 | 6,8K 5% 0,062W |
| 3382 | 4822 051 30682 | 6,8K 5% 0,062W |

ELECTRICAL PARTSLIST - COMBI BOARD**- RESISTORS -**

| | | |
|------|----------------|----------------|
| 3401 | 4822 116 52176 | 10R 5% 0,5W |
| 3402 | 4822 051 30471 | 470R 5% 0,062W |
| 3403 | 4822 051 30471 | 470R 5% 0,062W |
| 3404 | 4822 051 30472 | 4,7K 5% 0,062W |
| 3405 | 4822 051 30471 | 470R 5% 0,062W |
| 3406 | 4822 051 30471 | 470R 5% 0,062W |
| 3407 | 4822 051 30474 | 470K 5% 0,062W |
| 3408 | 4822 051 30472 | 4,7K 5% 0,062W |
| 3409 | 4822 117 13632 | 100K 1% 0,62W |
| 3410 | 4822 051 30471 | 470R 5% 0,062W |
| 3411 | 4822 051 30153 | 15K 5% 0,062W |
| 3412 | 4822 051 30221 | 220R 5% 0,062W |
| 3413 | 4822 051 30273 | 27K 5% 0,062W |
| 3414 | 4822 051 30472 | 4,7K 5% 0,062W |
| 3415 | 4822 051 30222 | 2,2K 5% 0,062W |
| 3416 | 4822 051 30272 | 2,7K 5% 0,062W |
| 3417 | 4822 051 30102 | 1K 5% 0,062W |
| 3418 | 4822 051 30103 | 10K 5% 0,062W |
| 3419 | 4822 051 30102 | 1K 5% 0,062W |
| 3420 | 4822 051 30472 | 4,7K 5% 0,062W |
| 3421 | 4822 051 30471 | 470R 5% 0,062W |
| 3422 | 4822 051 30102 | 1K 5% 0,062W |
| 3423 | 4822 051 30102 | 1K 5% 0,062W |
| 3424 | 4822 051 30102 | 1K 5% 0,062W |
| 3425 | 4822 051 30102 | 1K 5% 0,062W |
| 3426 | 4822 051 30331 | 330R 5% 0,062W |
| 3427 | 4822 051 30103 | 10K 5% 0,062W |
| 3428 | 4822 051 30152 | 1,5K 5% 0,062W |
| 3429 | 4822 051 30152 | 1,5K 5% 0,062W |
| 3430 | 4822 051 30471 | 470R 5% 0,062W |
| 3431 | 4822 051 30103 | 10K 5% 0,062W |
| 3432 | 4822 117 12903 | 1,8K 1% 0,062W |
| 3433 | 4822 051 30102 | 1K 5% 0,062W |
| 3434 | 4822 116 52175 | 100R 5% 0,5W |
| 3435 | 4822 051 30103 | 10K 5% 0,062W |
| 3436 | 4822 051 30103 | 10K 5% 0,062W |
| 3437 | 4822 051 30103 | 10K 5% 0,062W |
| 3438 | 4822 051 30103 | 10K 5% 0,062W |
| 3440 | 4822 050 11002 | 1K 1% 0,4W |
| 3441 | 4822 050 11002 | 1K 1% 0,4W |
| 3442 | 4822 051 30152 | 1,5K 5% 0,062W |
| 3443 | 4822 051 30152 | 1,5K 5% 0,062W |
| 3444 | 4822 051 30103 | 10K 5% 0,062W |
| 3445 | 4822 116 52175 | 100R 5% 0,5W |
| 3446 | 4822 051 30223 | 22K 5% 0,062W |
| 3447 | 4822 051 30223 | 22K 5% 0,062W |
| 3448 | 4822 050 11002 | 1K 1% 0,4W |
| 3449 | 4822 117 12864 | 82K 5% 0,6W |
| 3450 | 4822 051 30272 | 2,7K 5% 0,062W |
| 3451 | 4822 051 30272 | 2,7K 5% 0,062W |

- RESISTORS -

| | | |
|------|----------------|----------------|
| 3452 | 4822 051 30392 | 3,9K 5% 0,062W |
| 3453 | 4822 051 30183 | 18K 5% 0,062W |
| 3454 | 4822 051 30123 | 12K 5% 0,062W |
| 3455 | 4822 051 30332 | 3,3K 5% 0,062W |
| 3457 | 4822 051 30471 | 470R 5% 0,062W |
| 3458 | 4822 051 30221 | 220R 5% 0,062W |
| 3459 | 4822 051 30331 | 330R 5% 0,062W |
| 3461 | 4822 051 30221 | 220R 5% 0,062W |
| 3462 | 4822 051 30221 | 220R 5% 0,062W |
| 3463 | 4822 051 30272 | 2,7K 5% 0,062W |
| 3464 | 4822 050 21003 | 10K 1% 0,6W |
| 3465 | 4822 051 30331 | 330R 5% 0,062W |
| 3466 | 4822 051 30331 | 330R 5% 0,062W |
| 3467 | 4822 051 30471 | 470R 5% 0,062W |
| 3468 | 4822 051 30681 | 680R 5% 0,062W |
| 3469 | 4822 117 12968 | 820R 5% 0,62W |
| 3470 | 4822 117 11817 | 1,2K 1% 1/16W |
| 3471 | 4822 117 11817 | 1,2K 1% 1/16W |
| 3472 | 4822 051 30681 | 680R 5% 0,062W |
| 3473 | 4822 117 12968 | 820R 5% 0,62W |
| 3474 | 4822 051 30331 | 330R 5% 0,062W |
| 3475 | 4822 051 30331 | 330R 5% 0,062W |
| 3476 | 4822 051 30471 | 470R 5% 0,062W |
| 3477 | 4822 051 30681 | 680R 5% 0,062W |
| 3478 | 4822 117 12968 | 820R 5% 0,62W |
| 3479 | 4822 117 11817 | 1,2K 1% 1/16W |
| 3480 | 4822 051 30102 | 1K 5% 0,062W |
| 3481 | 4822 051 30101 | 100R 5% 0,062W |
| 3482 | 4822 051 30101 | 100R 5% 0,062W |
| 3484 | 4822 051 30681 | 680R 5% 0,062W |
| 3485 | 4822 116 52228 | 680R 5% 0,5W |
| 3486 | 4822 116 52228 | 680R 5% 0,5W |
| 3487 | 4822 116 52228 | 680R 5% 0,5W |
| 3492 | 4822 051 30471 | 470R 5% 0,062W |
| 3493 | 4822 051 30221 | 220R 5% 0,062W |
| 3494 | 4822 051 30221 | 220R 5% 0,062W |
| 3497 | 4822 051 30472 | 4,7K 5% 0,062W |
| 3498 | 4822 051 30152 | 1,5K 5% 0,062W |
| 3499 | 4822 116 52175 | 100R 5% 0,5W |
| 3505 | 4822 117 12864 | 82K 5% 0,6W |
| 3506 | 4822 116 52304 | 82K 5% 0,5W |
| 3507 | 4822 051 30153 | 15K 5% 0,062W |
| 3508 | 4822 116 52244 | 15K 5% 0,5W |
| 3510 | 4822 051 30682 | 6,8K 5% 0,062W |
| 3511 | 4822 051 30471 | 470R 5% 0,062W |
| 3512 | 4822 051 30471 | 470R 5% 0,062W |
| 3513 | 4822 116 52283 | 4,7K 5% 0,5W |
| 3514 | 4822 051 30472 | 4,7K 5% 0,062W |
| 3515 | 4822 051 30684 | 680K 5% 0,062W |
| 3516 | 4822 051 30684 | 680K 5% 0,062W |

ELECTRICAL PARTSLIST - COMBI BOARD**- RESISTORS -**

| | | |
|------|----------------|---------------------|
| 3517 | 4822 051 30681 | 680R 5% 0,062W |
| 3518 | 4822 051 30681 | 680R 5% 0,062W |
| 3519 | 4822 051 30392 | 3,9K 5% 0,062W |
| 3520 | 4822 051 30392 | 3,9K 5% 0,062W |
| 3521 | 4822 051 30471 | 470R 5% 0,062W |
| 3522 | 4822 051 30471 | 470R 5% 0,062W |
| 3523 | 4822 116 83872 | 220R 5% 0,5W |
| 3524 | 4822 050 11002 | 1K 1% 0,4W |
| 3525 | 4822 051 30471 | 470R 5% 0,062W |
| 3526 | 4822 116 52256 | 2,2K 5% 0,5W |
| 3527 | 4822 117 12925 | 47K 1% 0,062W |
| 3528 | 4822 117 12925 | 47K 1% 0,062W |
| 3529 | 4822 117 12971 | 15R 5% MCR03 0,62W |
| 3530 | 4822 117 12971 | 15R 5% MCR03 0,62W |
| 3531 | 4822 117 12925 | 47K 1% 0,062W |
| 3532 | 4822 117 12925 | 47K 1% 0,062W |
| 3533 | 4822 051 30471 | 470R 5% 0,062W |
| 3535 | 4822 051 30471 | 470R 5% 0,062W |
| 3536 | 4822 051 30471 | 470R 5% 0,062W |
| 3542 | 4822 117 13632 | 100K 1% 0,62W |
| 3543 | 4822 051 30471 | 470R 5% 0,062W |
| 3544 | 4822 051 30471 | 470R 5% 0,062W |
| 3545 | 4822 051 30103 | 10K 5% 0,062W |
| 3546 | 4822 051 30103 | 10K 5% 0,062W |
| 3547 | 4822 051 30222 | 2,2K 5% 0,062W |
| 3551 | 4822 051 30332 | 3,3K 5% 0,062W |
| 3553 | 5322 117 13046 | 1K8 1% 0,062W RC22H |
| 3554 | 4822 051 30332 | 3,3K 5% 0,062W |
| 3567 | 4822 117 13632 | 100K 1% 0,62W |
| 3568 | 4822 116 52256 | 2,2K 5% 0,5W |
| 3569 | 4822 051 30682 | 6,8K 5% 0,062W |
| 3570 | 4822 051 30472 | 4,7K 5% 0,062W |
| 3571 | 4822 051 30472 | 4,7K 5% 0,062W |
| 3572 | 4822 051 30472 | 4,7K 5% 0,062W |
| 3573 | 4822 051 30472 | 4,7K 5% 0,062W |
| 3574 | 4822 051 30472 | 4,7K 5% 0,062W |
| 3575 | 4822 051 30472 | 4,7K 5% 0,062W |
| 3576 | 4822 051 30472 | 4,7K 5% 0,062W |
| 3577 | 4822 051 30472 | 4,7K 5% 0,062W |
| 3578 | 4822 051 30472 | 4,7K 5% 0,062W |
| 3579 | 4822 051 30472 | 4,7K 5% 0,062W |
| 3580 | 4822 051 30472 | 4,7K 5% 0,062W |
| 3581 | 4822 051 30472 | 4,7K 5% 0,062W |
| 3582 | 4822 051 30472 | 4,7K 5% 0,062W |
| 3583 | 4822 051 30472 | 4,7K 5% 0,062W |
| 3584 | 4822 051 30472 | 4,7K 5% 0,062W |
| 3585 | 4822 051 30472 | 4,7K 5% 0,062W |
| 3586 | 4822 051 30472 | 4,7K 5% 0,062W |
| 3587 | 4822 051 30472 | 4,7K 5% 0,062W |
| 3588 | 4822 051 30472 | 4,7K 5% 0,062W |

- RESISTORS -

| | | |
|------|----------------|----------------------|
| 3589 | 4822 051 30472 | 4,7K 5% 0,062W |
| 3590 | 4822 051 30472 | 4,7K 5% 0,062W |
| 3591 | 4822 051 30472 | 4,7K 5% 0,062W |
| 3592 | 4822 051 30472 | 4,7K 5% 0,062W |
| 3593 | 4822 051 30472 | 4,7K 5% 0,062W |
| 3801 | 4822 051 30223 | 22K 5% 0,062W |
| 3802 | 4822 051 30223 | 22K 5% 0,062W |
| 3803 | 4822 051 30273 | 27K 5% 0,062W |
| 3804 | 4822 051 30273 | 27K 5% 0,062W |
| 3805 | 4822 051 30273 | 27K 5% 0,062W |
| 3806 | 4822 051 30273 | 27K 5% 0,062W |
| 3807 | 4822 051 30103 | 10K 5% 0,062W |
| 3808 | 4822 051 30103 | 10K 5% 0,062W |
| 3809 | 4822 051 30103 | 10K 5% 0,062W |
| 3810 | 4822 051 30103 | 10K 5% 0,062W |
| 3811 | 4822 051 30103 | 10K 5% 0,062W |
| 3812 | 4822 051 30103 | 10K 5% 0,062W |
| 3813 | 4822 051 30222 | 2,2K 5% 0,062W |
| 3814 | 4822 051 30222 | 2,2K 5% 0,062W |
| 3815 | 4822 051 30222 | 2,2K 5% 0,062W |
| 3816 | 4822 051 30222 | 2,2K 5% 0,062W |
| 3817 | 4822 051 30479 | 47R 5% 0,062W |
| 3818 | 4822 051 30479 | 47R 5% 0,062W |
| 3819 | 4822 051 30479 | 47R 5% 0,062W |
| 3820 | 4822 052 10478 | 4,7R 5% 0,33W |
| 3821 | 4822 117 12917 | 1R 5% 0,062W |
| 3822 | 4822 051 30103 | 10K 5% 0,062W |
| 3823 | 4822 051 30102 | 1K 5% 0,062W |
| 3824 | 4822 051 20474 | 470K 5% 0,1W |
| 3825 | 5322 117 13029 | 47K 1% 0,062W RC22H |
| 3826 | 4822 117 12891 | 220K 1% ERJ 3E |
| 3827 | 5322 117 13056 | 8,2K 1% 0,062W RC22H |
| 3828 | 5322 117 13052 | 2,7K 1% 0,062W RC22H |
| 3829 | 4822 051 30121 | 120R 5% 0,062W |
| 3830 | 4822 117 11373 | 100R 1% RC12H |
| 3831 | 4822 051 30471 | 470R 5% 0,062W |
| 3832 | 4822 051 30471 | 470R 5% 0,062W |
| 3833 | 4822 051 30121 | 120R 5% 0,062W |
| 3834 | 4822 051 30472 | 4,7K 5% 0,062W |
| 3836 | 4822 116 40227 | 4,6R 25% 12V |
| 3837 | 4822 051 30471 | 470R 5% 0,062W |
| 3839 | 4822 051 30471 | 470R 5% 0,062W |
| 3840 | 4822 051 30223 | 22K 5% 0,062W |
| 3842 | 4822 051 30102 | 1K 5% 0,062W |
| 3843 | 4822 051 30102 | 1K 5% 0,062W |
| 3844 | 4822 051 30101 | 100R 5% 0,062W |
| 3845 | 4822 051 30471 | 470R 5% 0,062W |
| 3846 | 4822 051 30472 | 4,7K 5% 0,062W |
| 3847 | 4822 117 10834 | 47K 1% 0,1W |
| 3848 | 4822 051 30333 | 33K 5% 0,062W |

ELECTRICAL PARTSLIST - COMBI BOARD**- RESISTORS -**

| | | |
|------|----------------|-----------------|
| 3849 | 4822 051 30471 | 470R 5% 0,062W |
| 3850 | 4822 051 30472 | 4,7K 5% 0,062W |
| 3851 | 4822 117 10834 | 47K 1% 0,1W |
| 3852 | 4822 051 30333 | 33K 5% 0,062W |
| 3853 | 4822 117 12903 | 1,8K 1% 0,062W |
| 3854 | 4822 051 30682 | 6,8K 5% 0,062W |
| 3856 | 4822 117 12891 | 220K 1% ERJ 3E |
| 3858 | 4822 051 30682 | 6,8K 5% 0,062W |
| 3859 | 4822 117 13632 | 100K 1% 0,62W |
| 3861 | 4822 117 13632 | 100K 1% 0,62W |
| 3862 | 4822 051 30102 | 1K 5% 0,062W |
| 3863 | 4822 052 10338 | 3,3R 5% 0,33W |
| 3864 | 4822 051 30223 | 22K 5% 0,062W |
| 3865 | 4822 051 30101 | 100R 5% 0,062W |
| 3866 | 4822 117 13608 | 4,7R 5% 0,0016W |
| 3867 | 4822 051 30223 | 22K 5% 0,062W |
| 3868 | 4822 051 30103 | 10K 5% 0,062W |
| 3869 | 4822 051 30103 | 10K 5% 0,062W |
| 3871 | 4822 051 30101 | 100R 5% 0,062W |
| 3872 | 4822 051 30101 | 100R 5% 0,062W |
| 3873 | 4822 051 30223 | 22K 5% 0,062W |
| 3874 | 4822 051 30223 | 22K 5% 0,062W |
| 3875 | 4822 051 30103 | 10K 5% 0,062W |
| 3876 | 4822 051 30103 | 10K 5% 0,062W |
| 3878 | 4822 051 30471 | 470R 5% 0,062W |
| 3879 | 4822 051 30223 | 22K 5% 0,062W |
| 3880 | 4822 051 30339 | 33K 5% 0,062W |
| 3881 | 4822 051 30151 | 150R 5% 0,062W |
| 3882 | 4822 051 10102 | 1K 2% 0,25W |
| 3883 | 4822 051 30102 | 1K 5% 0,062W |
| 3884 | 4822 051 30102 | 1K 5% 0,062W |
| 3888 | 4822 051 30103 | 10K 5% 0,062W |
| 3889 | 4822 051 30471 | 470R 5% 0,062W |
| 3890 | 4822 051 30471 | 470R 5% 0,062W |
| 3891 | 4822 051 30102 | 1K 5% 0,062W |
| 3892 | 4822 051 30102 | 1K 5% 0,062W |
| 3893 | 4822 051 30471 | 470R 5% 0,062W |
| 3894 | 4822 117 12891 | 220K 1% ERJ 3E |
| 3895 | 4822 051 30273 | 27K 5% 0,062W |
| 3896 | 4822 051 30101 | 100R 5% 0,062W |
| 3897 | 4822 051 30333 | 33K 5% 0,062W |
| 3898 | 4822 051 30181 | 180R 5% 0,062W |
| 3899 | 4822 051 30272 | 2,7K 5% 0,062W |
| 3901 | 4822 051 30561 | 560R 5% 0,062W |
| 3902 | 4822 117 12968 | 820R 5% 0,62W |
| 3903 | 4822 051 30332 | 3,3K 5% 0,062W |
| 3904 | 4822 051 30332 | 3,3K 5% 0,062W |
| 3905 | 4822 051 30471 | 470R 5% 0,062W |
| 3906 | 4822 051 30471 | 470R 5% 0,062W |
| 3907 | 4822 051 30391 | 390R 5% 0,062W |

- RESISTORS -

| | | |
|------|----------------|-------------------|
| 3908 | 4822 051 30222 | 2,2K 5% 0,062W |
| 3909 | 4822 117 13632 | 100K 1% 0,62W |
| 3910 | 4822 051 30471 | 470R 5% 0,062W |
| 3916 | 4822 051 30471 | 470R 5% 0,062W |
| 3917 | 4822 117 13608 | 4,7R 5% 0,0016W |
| 4104 | 3198 021 90030 | OR J UMPER(/01) |
| 4105 | 4822 051 30008 | OR J UMPER |
| 4106 | 4822 051 30008 | OR J UMPER |
| 4107 | 4822 051 30008 | OR J UMPER |
| 4108 | 4822 051 30008 | OR J UMPER |
| 4109 | 4822 051 30008 | OR J UMPER |
| 4110 | 3198 021 90030 | OR J UMPER(/01) |
| 4401 | 4822 051 30008 | OR J UMPER |
| 4402 | 4822 051 30008 | OR J UMPER |
| 4403 | 4822 051 30008 | OR J UMPER |
| 4404 | 4822 051 30008 | OR J UMPER |
| 4801 | 4822 051 20008 | OR J UMPER (0805) |
| 4802 | 4822 051 20008 | OR J UMPER (0805) |
| 4803 | 4822 051 20008 | OR J UMPER (0805) |
| 4805 | 4822 051 20008 | OR J UMPER (0805) |
| 4808 | 4822 051 20008 | OR J UMPER (0805) |
| 4809 | 4822 051 20008 | OR J UMPER (0805) |
| 4811 | 4822 051 20008 | OR J UMPER (0805) |
| 4817 | 4822 051 30008 | OR J UMPER |
| 4818 | 4822 051 20008 | OR J UMPER (0805) |
| 4824 | 4822 051 20008 | OR J UMPER (0805) |
| 4827 | 4822 051 20008 | OR J UMPER (0805) |
| 4830 | 4822 051 20008 | OR J UMPER (0805) |
| 4832 | 4822 051 20008 | OR J UMPER (0805) |
| 4834 | 4822 051 20008 | OR J UMPER (0805) |
| 4836 | 4822 051 20008 | OR J UMPER (0805) |
| 4840 | 4822 051 20008 | OR J UMPER (0805) |
| 4841 | 4822 051 20008 | OR J UMPER (0805) |
| 4842 | 4822 051 20008 | OR J UMPER (0805) |
| 4845 | 4822 051 30008 | OR J UMPER |

- COILS & FILTERS -

| | | |
|------|----------------|------------------------|
| 5001 | 2422 549 44607 | IND FXD SM 100MHZ 600R |
| 5104 | 4822 157 11269 | COIL MW ANTENNA |
| 5104 | 2422 536 00364 | IND FXD FM 190µH(/01) |
| 5105 | 4822 157 11271 | COIL LW ANTENNA |
| 5109 | 4822 242 70665 | SFE10,7MS3-A |
| 5110 | 4822 242 70665 | SFE10,7MS3-A |
| 5111 | 2422 549 44023 | IND VAR 7MM 450KHZ |
| 5112 | 4822 157 70302 | F7MCS-12216N |
| 5114 | 4822 157 70302 | F7MCS-12216N |
| 5119 | 4822 157 11443 | 2,4µH 10,7MHZ |

ELECTRICAL PARTSLIST - COMBI BOARD**- COILS & FILTERS -**

| | | |
|------|----------------|-------------------------|
| 5121 | 4822 242 10261 | T6252F00 (75KHZ) |
| 5122 | 2422 549 44108 | IND VAR 7MM 796KHZ |
| 5123 | 2422 549 44108 | IND VAR 7MM 796KHZ |
| 5130 | 4822 157 11843 | MD7B-01F |
| 5131 | 4822 157 11843 | MD7B-01F |
| 5301 | 2422 549 44393 | IND FXD SM 100MHZ 2K7 |
| 5303 | 4822 157 11074 | 100µH |
| 5304 | 4822 157 11074 | 100µH |
| 5305 | 2422 549 44919 | IND FXD SM 100MHZ 600R |
| 5306 | 2422 549 44919 | IND FXD SM 100MHZ 600R |
| 5307 | 2422 549 44919 | IND FXD SM 100MHZ 600R |
| 5308 | 4822 157 11074 | 100µH |
| 5309 | 4822 157 11074 | 100µH |
| 5310 | 4822 157 11074 | 100µH |
| 5311 | 4822 157 11074 | 100µH |
| 5401 | 2422 549 44393 | IND FXD SM 100MHZ 2K7 |
| 5402 | 2422 549 44393 | IND FXD SM 100MHZ 2K7 |
| 5403 | 2422 540 98518 | RES CER 8MHZ CSTS* MG03 |
| 5405 | 4822 157 11074 | 100µH |

- DIODES -

| | | |
|------|----------------|-------------|
| 6103 | 5322 130 34337 | BAV99 |
| 6105 | 4822 130 83075 | HN1V02H-B |
| 6120 | 4822 130 11397 | BAS316 |
| 6130 | 4822 130 82833 | 1SV228 |
| 6131 | 4822 130 82833 | 1SV228 |
| 6181 | 5322 130 34337 | BAV99 |
| 6182 | 4822 130 11397 | BAS316 |
| 6183 | 9340 386 90115 | BZX284-C11 |
| 6301 | 4822 130 31878 | 1N4003G |
| 6302 | 4822 130 31878 | 1N4003G |
| 6303 | 4822 130 31878 | 1N4003G |
| 6304 | 4822 130 31878 | 1N4003G |
| 6308 | 3198 010 53380 | BZX79-B3V3 |
| 6310 | 9334 515 80673 | 1N4003(/01) |
| 6311 | 4822 130 30621 | 1N4148 |
| 6316 | 4822 130 30621 | 1N4148 |
| 6322 | 4822 130 30621 | 1N4148 |
| 6323 | 4822 130 30621 | 1N4148 |
| 6324 | 4822 130 11397 | BAS316 |
| 6401 | 5322 130 31504 | BZX79-B3V3 |
| 6402 | 5322 130 34337 | BAV99 |
| 6501 | 4822 130 30621 | 1N4148 |
| 6877 | 9322 129 34685 | BZM55-C3V9 |

- IC & TRANSISTORS -

| | | |
|------|----------------|----------------------|
| 7101 | 9351 740 80557 | TEA5757H/V1 |
| 7102 | 4822 130 42131 | BF550 |
| 7104 | 4822 130 40855 | BC337 |
| 7105 | 4822 130 40855 | BC337 |
| 7109 | 4822 130 60373 | BC856B |
| 7111 | 9335 896 00215 | BC847C(/01) |
| 7122 | 5322 130 42755 | BC847C |
| 7124 | 5322 130 42755 | BC847C |
| 7180 | 4822 130 60373 | BC856B |
| 7181 | 5322 130 42755 | BC847C |
| 7182 | 5322 130 42755 | BC847C |
| 7183 | 5322 130 42755 | BC847C |
| 7301 | 4822 209 31544 | TA8227P |
| 7302 | 4822 130 41327 | BC327-40 |
| 7303 | 4822 130 41327 | BC327-40 |
| 7304 | 4822 130 41327 | BC327-40 |
| 7305 | 4822 130 60373 | BC856B |
| 7306 | 5322 130 60159 | BC846B |
| 7312 | 5322 130 60159 | BC846B |
| 7313 | 4822 130 42804 | BC817-25 |
| 7314 | 4822 130 42804 | BC817-25 |
| 7315 | 4822 130 42804 | BC817-25 |
| 7316 | 4822 130 42804 | BC817-25 |
| 7400 | 3140 110 51490 | TMP86CM29F MASK |
| 7401 | 9322 145 26668 | M24C02-WMN6 |
| 7402 | 5322 130 60159 | BC846B |
| 7403 | 5322 130 60159 | BC846B |
| 7404 | 5322 130 60159 | BC846B |
| 7405 | 5322 130 60159 | BC846B |
| 7407 | 9322 155 82667 | IR RECEIVER TSOP2236 |
| 7501 | 5322 130 60159 | BC846B |
| 7503 | 4822 130 44568 | BC557B |
| 7504 | 4822 130 44568 | BC557B |
| 7505 | 4822 130 44568 | BC557B |
| 7506 | 4822 130 44568 | BC557B |
| 7800 | 9352 684 20557 | SAA7325H/T/M2B |
| 7808 | 4822 209 32852 | TDA7073A/N2 |
| 7809 | 4822 209 32852 | TDA7073A/N2 |
| 7810 | 4822 209 33165 | TDA1308T/N1 |
| 7811 | 5322 209 82941 | LM358D |
| 7874 | 5322 130 60159 | BC846B |
| 7875 | 5322 130 60159 | BC846B |
| 7876 | 5322 130 60159 | BC846B |
| 7877 | 5322 130 60159 | BC846B |
| 7878 | 5322 130 60159 | BC846B |
| 7879 | 5322 130 60123 | BC807-40 |

ELECTRICAL PARTSLIST - MISCELLANEOUS

- MISCELLANEOUS -

| | | | |
|------|---|----------------|-----------------------|
| 1200 | △ | 2422 030 00333 | AC SOCKET 2P |
| 1202 | △ | 2422 127 00453 | VOLTAGE SELECTOR(/01) |
| 1300 | | 2422 264 00454 | LOUDSPEAKER |
| 1301 | | 2422 264 00454 | LOUDSPEAKER |
| 1800 | | 4822 267 11028 | FFC CONNECTOR 16P |
| 1820 | | 2422 025 16978 | FFC CONNECTOR 19P |
| 5201 | △ | 3140 118 33281 | TRANSFORMER(/00C) |
| 5201 | △ | 3140 118 33290 | TRANSFORMER(/01) |
| 8201 | | 3140 110 22120 | CABLE 1P/70/1P(/01) |

Note: Only these parts mentioned in the list are normal service parts.